

FORMOR

PRODUCT MANUALS



Fortune Plus Technology (Guangzhou) Limited

Fortune Plus Technology (Guangzhou) Limited

W. www.fortune-plus.com

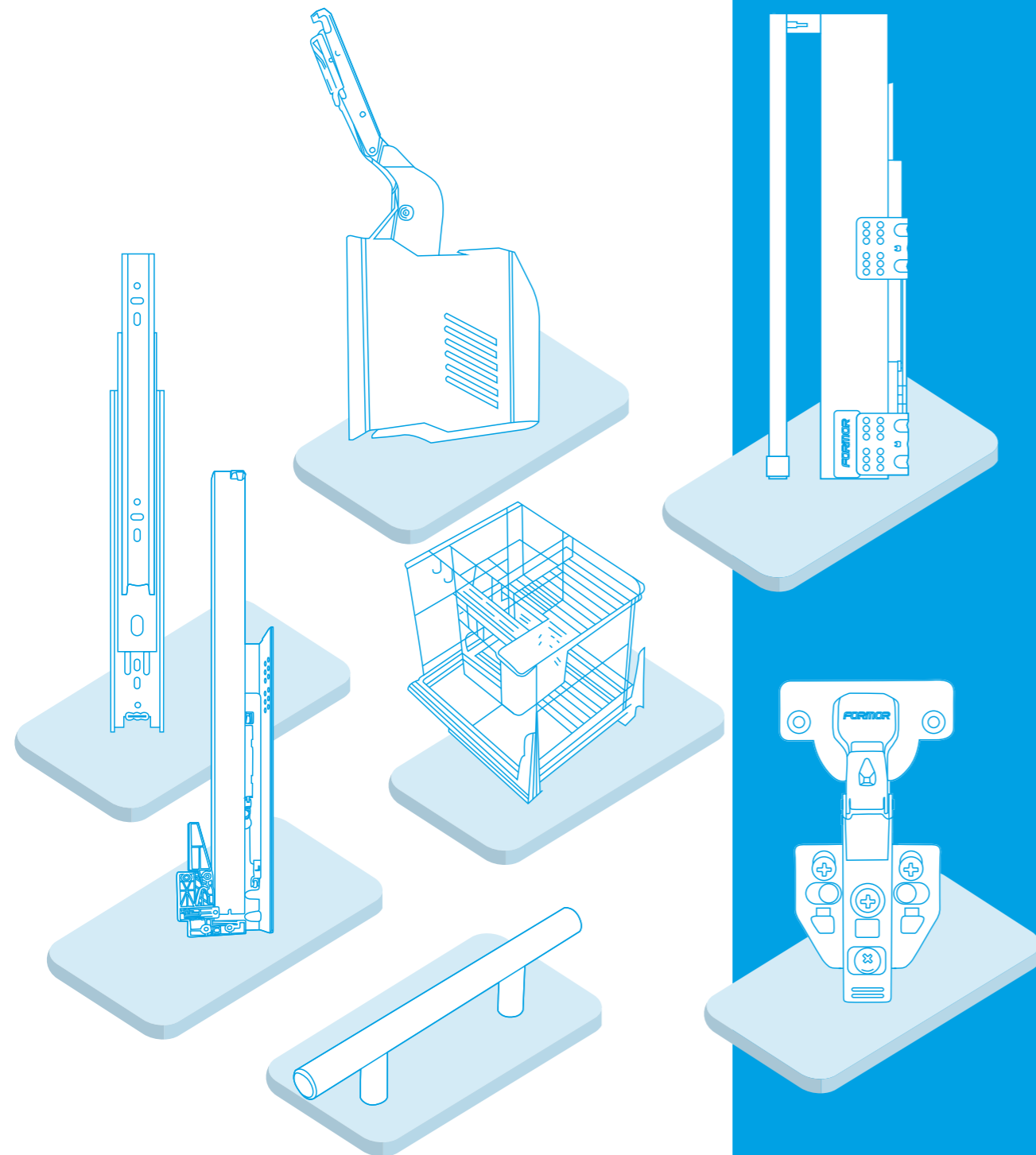
M. 020-82226081 F. 020-82221236

GuangZhou: 1301-121, NO.2 Youli Tech Park Pan Yu GZ, China

Panfu Rd, Chengxi Community, Pandong Town, Jiedong District, Jieyang City, China

INTRODUCTION

2012-2020⁺



Company Introduction

Fortune Plus Hardware is a professional OEM and ODM supplier for furniture fittings, furniture and decorative hardware globally.

Our headquarter is located in Guangzhou, the foreign trade center in China. Manufacturing unites for drawer slides and cabinet hinges are located in Jieyang City, 300 km from Guangzhou.

Since 2012, we have been dedicated in hardware designing, manufacturing and sourcing for foreign customers. We have developed our own brand FORMOR for one stop solution and space optimization for customized furniture.

We have operation offices in South Korea, India, Vietnam and Poland. With a team of energetic youth and multinational culture, we keep on creating values to our customers, looking for your cooperation.



FORMOR
HOME HARDWARE

FULL EXTENSION BALL BEARING SLIDE (SOFT CLOSING)

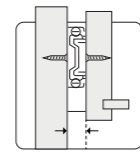
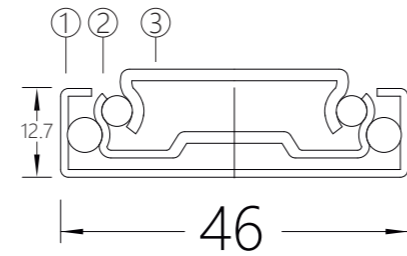
DS-SC61



Width:	46mm
Length:	250-600mm
Loading capacity:	45kg/450mm(18")
Material:	cold-rolled steel
Finishing:	Zinc/Black
Packing:	15Pairs/carton



45kg

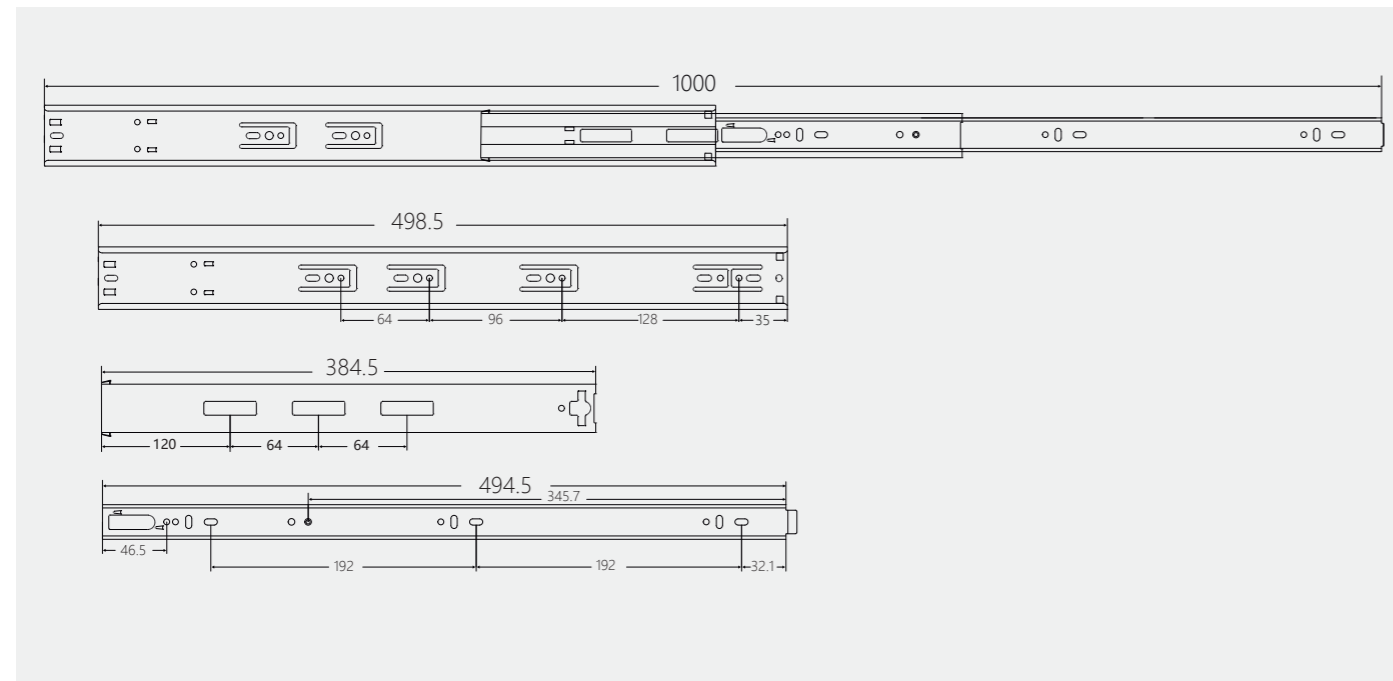


13.0mm

①	②	③
1.2	1.2	1.5

DS-SC61	1.2*1.2*1.5mm
---------	---------------

Hole Version



FULL EXTENSION BALL BEARING SLIDE (SOFT CLOSING)

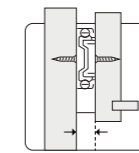
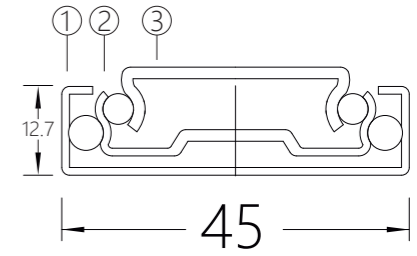
DS-SC51



Width:	45mm
Length:	250-600mm
Loading capacity:	45kg/450mm(18")
Material:	cold-rolled steel
Finishing:	Zinc/Black
Packing:	15Pairs/carton



45kg

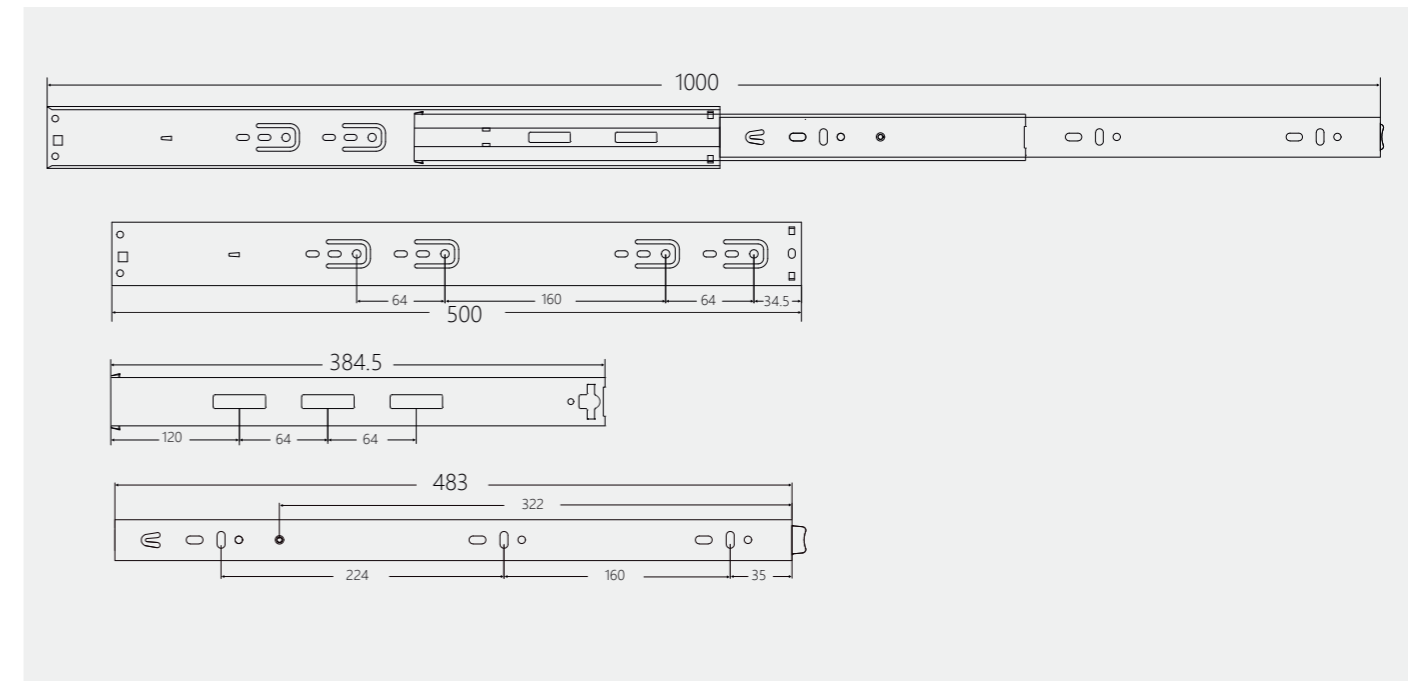


13.0mm

①	②	③
1.2	1.2	1.5

DS-SC51	1.2*1.2*1.5mm
---------	---------------

Hole Version



FULL EXTENSION BALL BEARING SLIDE (SOFT CLOSING)

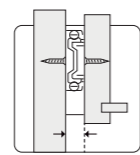
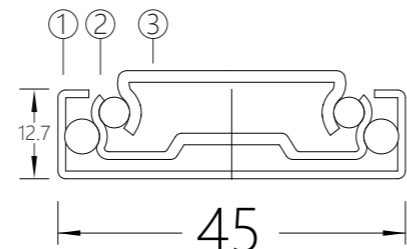
DS-SC54



Width:	45mm
Length:	250-600mm
Loading capacity:	45kg/450mm(18")
Material:	cold-rolled steel
Finishing:	Zinc/Black
Packing:	15Pairs/carton



45kg

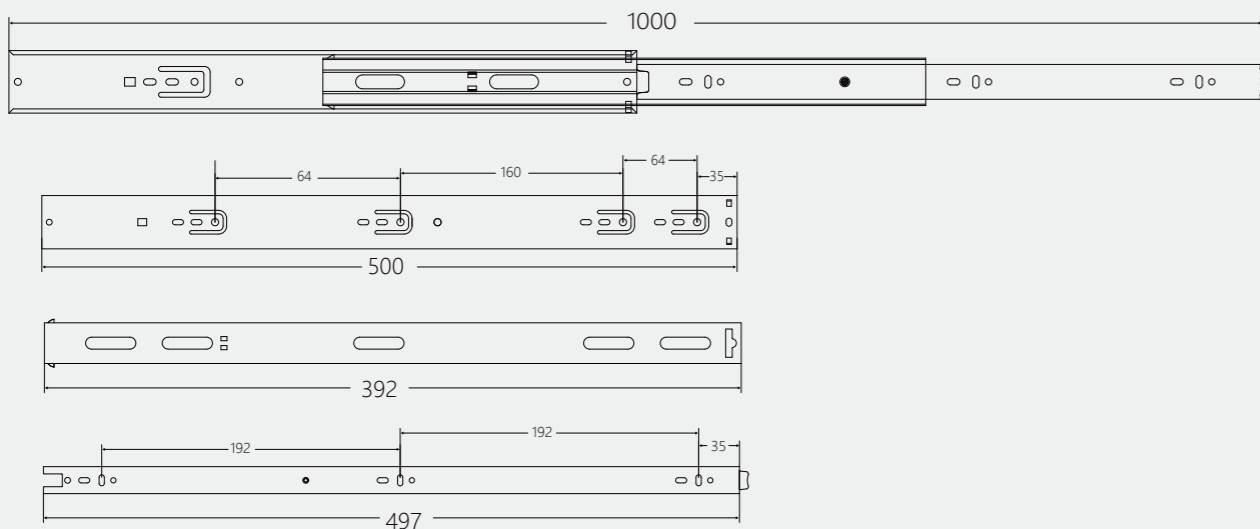


13.0mm

①	②	③
1.0	1.0	1.2

DS-SC54	1.0*1.0*1.2mm
---------	---------------

Hole Version



FULL EXTENSION BALL BEARING SLIDE (PUSH TO OPEN)

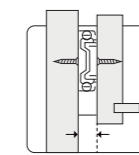
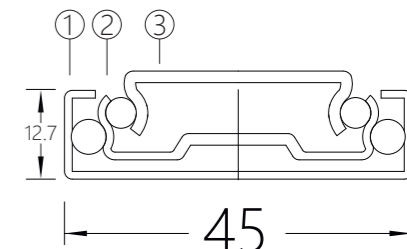
DS-PO52



Width:	45mm
Length:	250-600mm
Loading capacity:	45kg/450mm(18")
Material:	cold-rolled steel
Finishing:	Zinc/Black
Packing:	15Pairs/carton



45kg

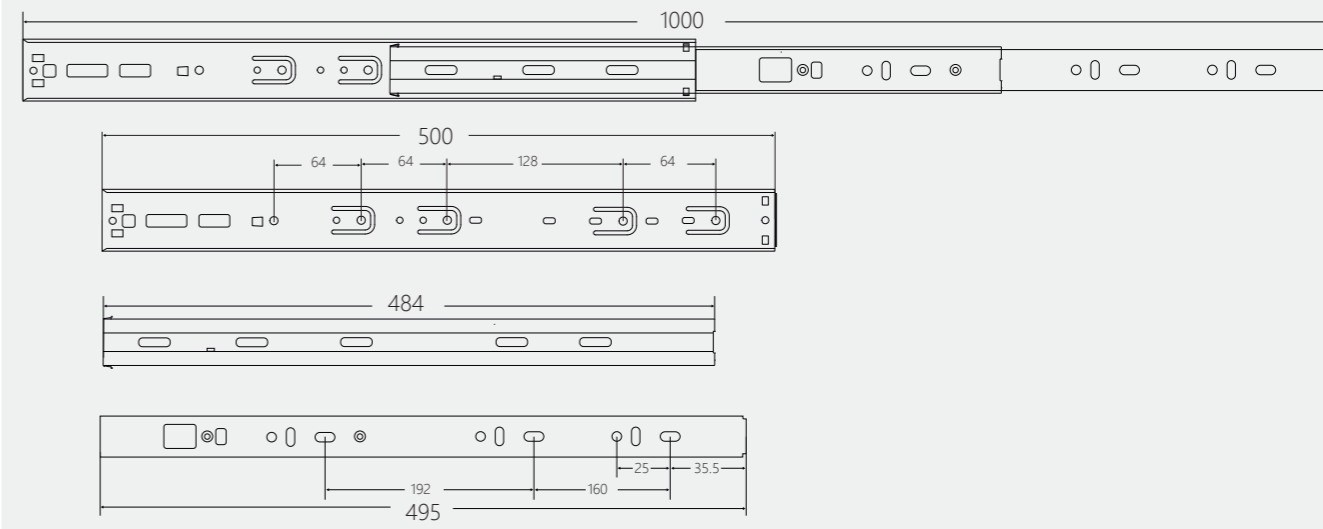


13.0mm

①	②	③
1.2	1.2	1.5

DS-PO52	1.2*1.2*1.5mm
---------	---------------

Hole Version



FULL EXTENSION BALL BEARING SLIDE (PUSH TO OPEN)

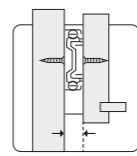
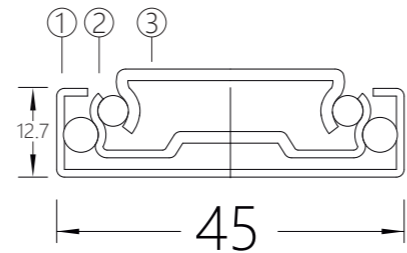
DS-PO54



Width:	45mm
Length:	250-600mm
Loading capacity:	45kg/450mm(18")
Material:	cold-rolled steel
Finishing:	Zinc/Black
Packing:	15Pairs/carton



45kg

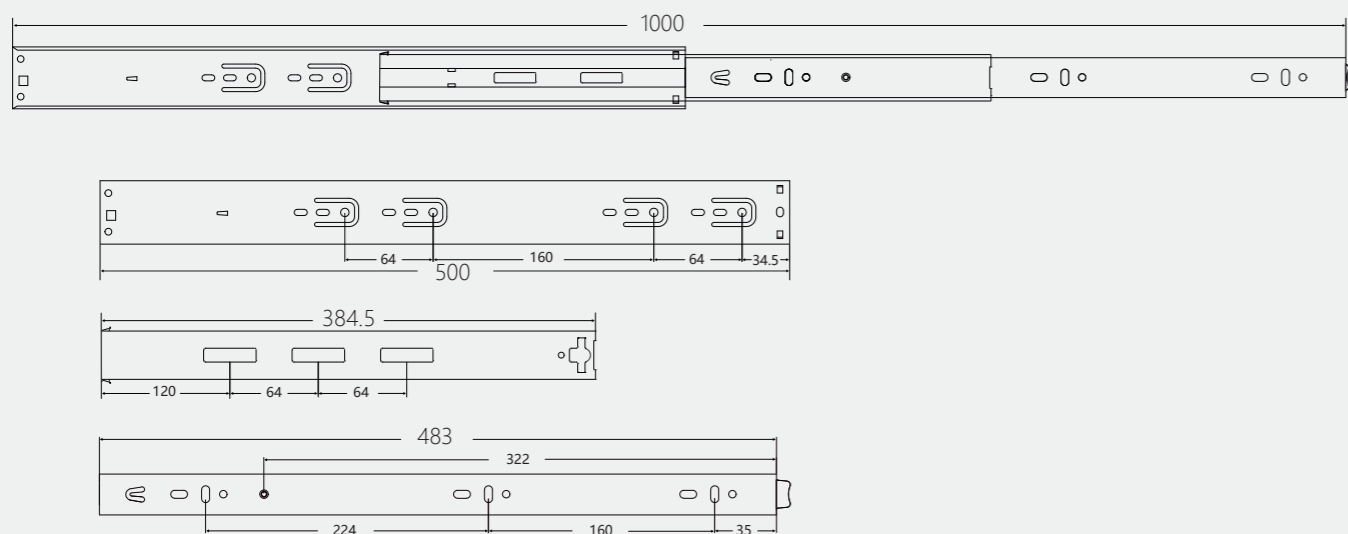


13.0mm

①	②	③
1.2	1.2	1.5

DS-PO54	1.2*1.2*1.5mm
---------	---------------

Hole Version



FULL EXTENSION BALL BEARING SLIDE

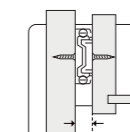
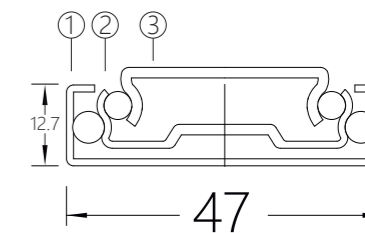
DS-4751



Width:	47mm
Length:	250-600mm
Loading capacity:	45kg/450mm(18")
Material:	cold-rolled steel
Finishing:	Zinc/Black
Packing:	15Pairs/carton



45kg

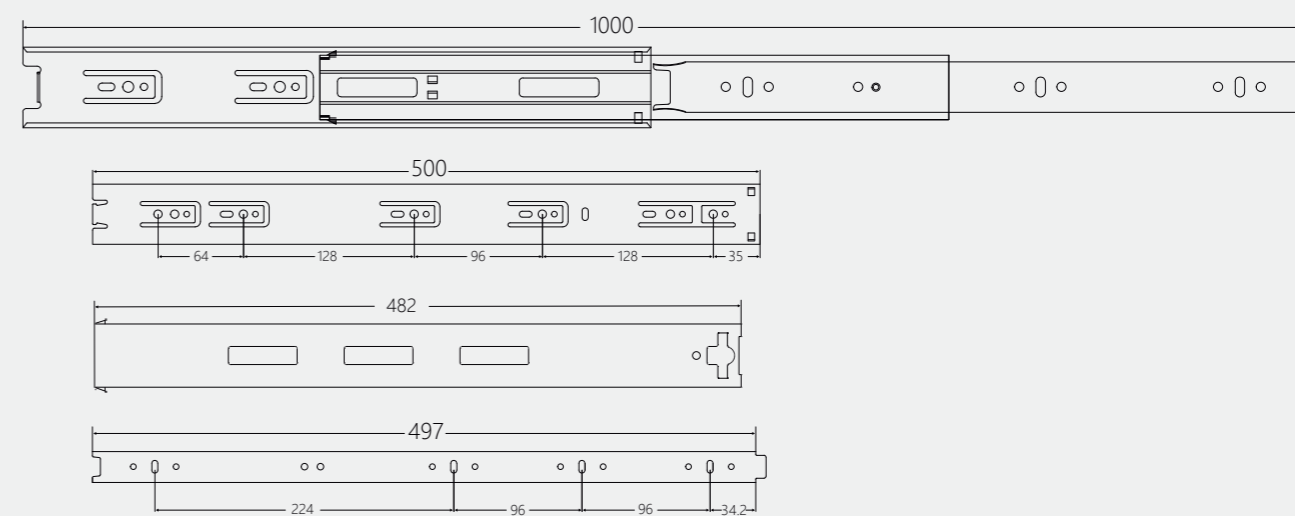


13.0mm

①	②	③
1.2	1.2	1.2-1.5

DS-4751	1.2*1.2*1.5mm	DS-4721	1.2*1.2*1.2mm
---------	---------------	---------	---------------

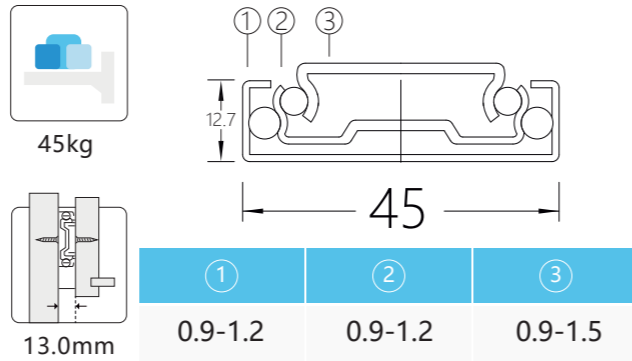
Hole Version



DS-4557

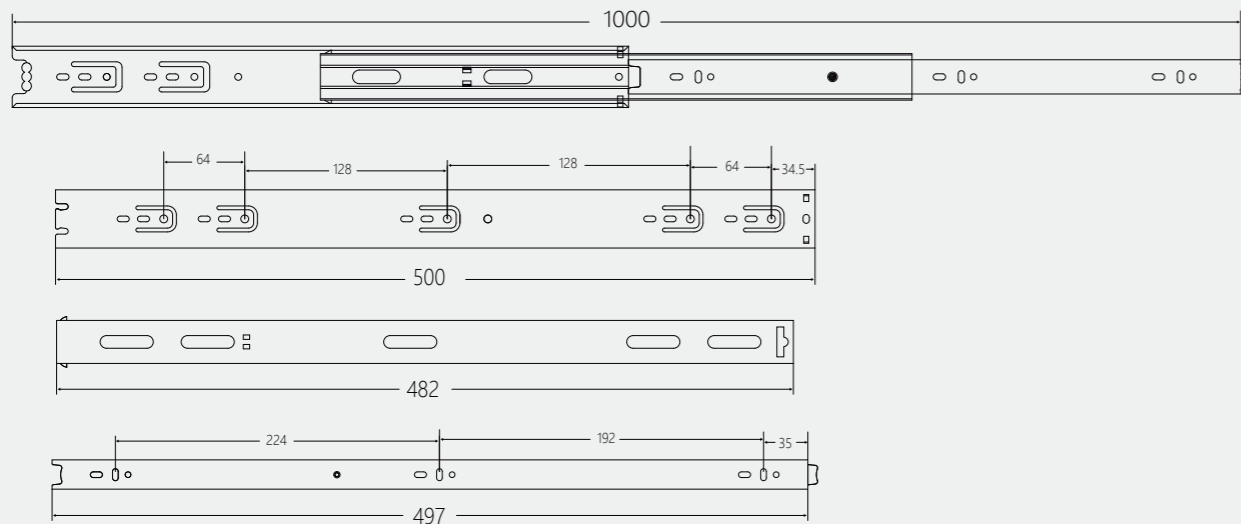


Width:	45mm
Length:	250-600mm
Loading capacity:	45kg/450mm(18")
Material:	cold-rolled steel
Finishing:	Zinc/Black
Packing:	15Pairs/carton



DS-4557	1.2*1.2*1.5mm	DS-4522	1.2*1.2*1.2mm	DS-4515	1.0*1.0*1.2mm
DS-4505	1.0*1.0*1.0mm	DS-4519	0.9*0.9*1.0mm	DS-4592	0.9*0.9*0.9mm

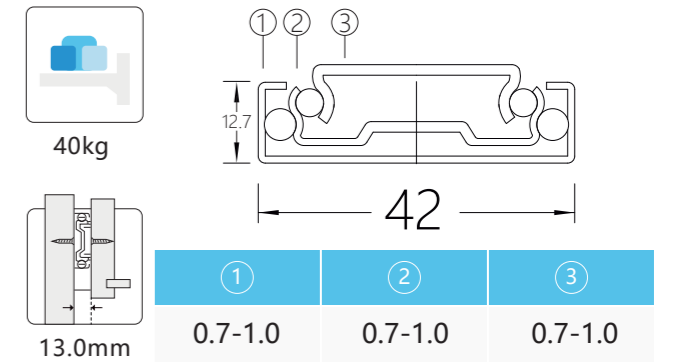
Hole Version



DS-4202

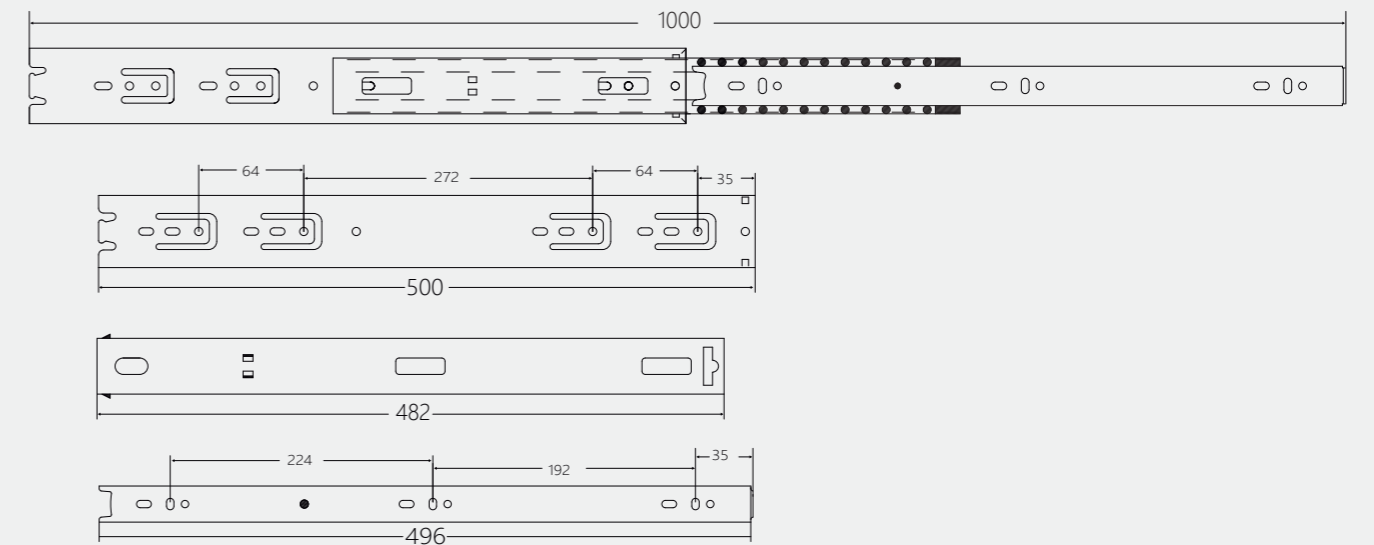


Width:	42mm
Length:	250-600mm
Loading capacity:	40kg/450mm(18")
Material:	JieYang/Shanghai
Finishing:	Zinc/Black
Packing:	15Pairs/carton



DS-4202	1.0*1.0*1.0mm	DS-4208	0.9*0.9*1.0mm	DS-4292	0.9*0.9*0.9mm
DS-4298	0.8*0.9*0.9mm	DS-4281	0.8*0.8*0.8mm	DS-4271	0.7*0.7*0.7mm

Hole Version

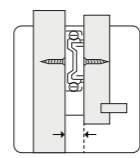
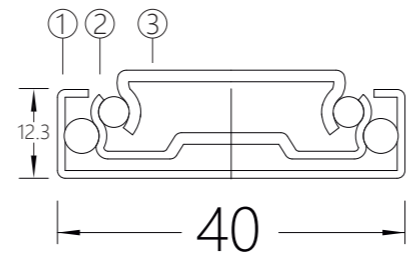


FULL EXTENSION BALL BEARING SLIDE

DS-4071



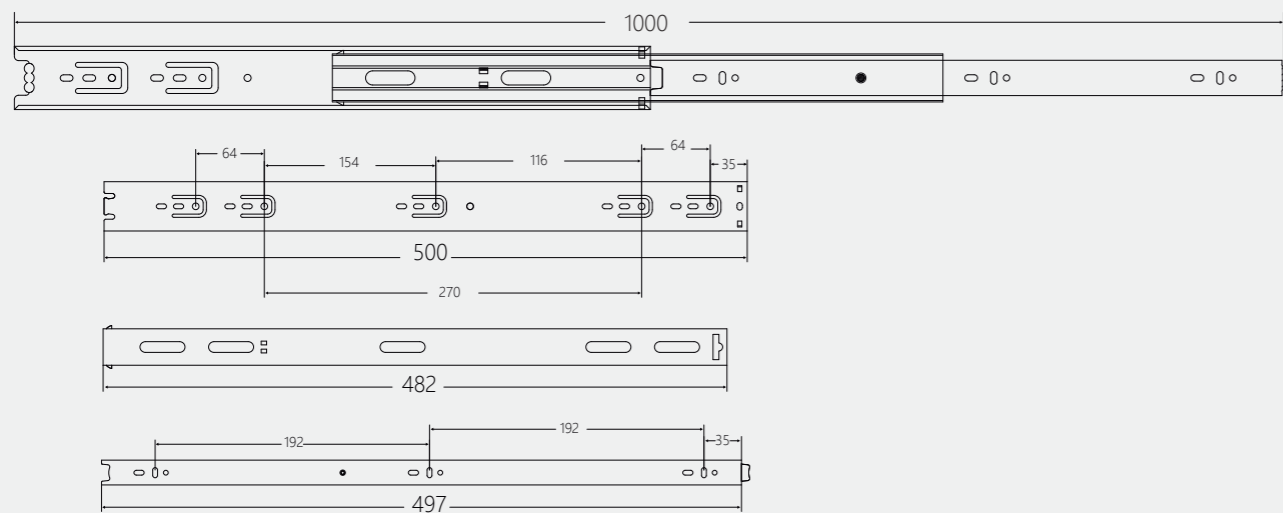
Width:	40mm
Length:	250-600mm
Loading capacity:	30kg/450mm(18")
Material:	cold-rolled steel
Finishing:	Zinc/Black
Packing:	15Pairs/carton



①	②	③
0.7	0.7	0.7

DS-4071	0.7*0.7*0.7mm
---------	---------------

Hole Version

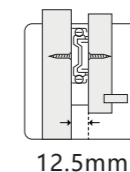
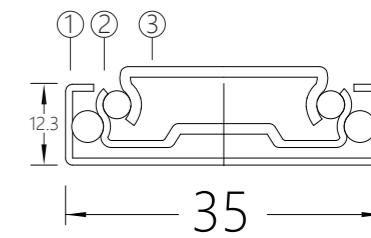


FULL EXTENSION BALL BEARING SLIDE

DS-3591



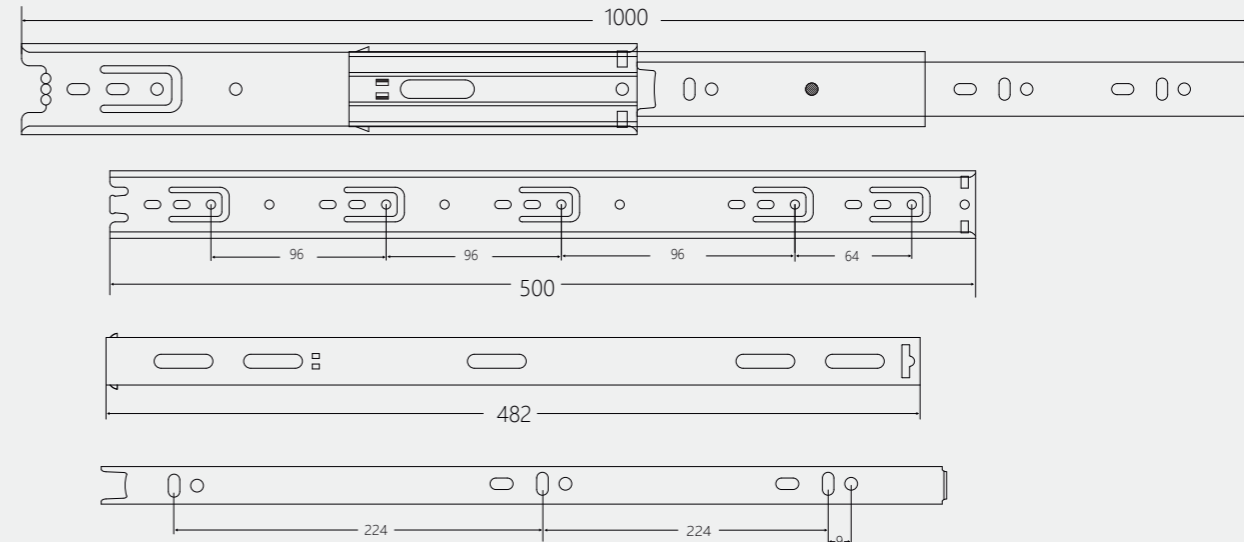
Width:	35mm
Length:	250-600mm
Loading capacity:	30kg/450mm(18")
Material:	cold-rolled steel
Finishing:	Zinc/Black
Packing:	20Pairs/carton



①	②	③
0.7-0.9	0.7-0.9	0.7-0.9

DS-3591	0.9*0.9*0.9mm	DS-3581	0.8*0.8*0.8mm	DS-3571	0.7*0.7*0.7mm
---------	---------------	---------	---------------	---------	---------------

Hole Version



FULL EXTENSION BALL BEARING SLIDE

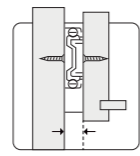
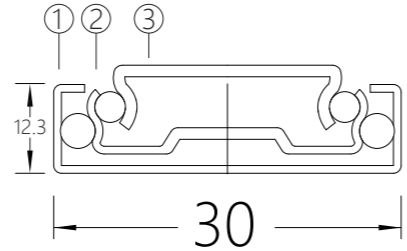
DS-3061



Width: 30mm
 Length: 250-600mm
 Loading capacity: 25kg/450mm(18")
 Material: cold-rolled steel
 Finishing: Zinc/Black
 Packing: 20Pairs/carton



25kg

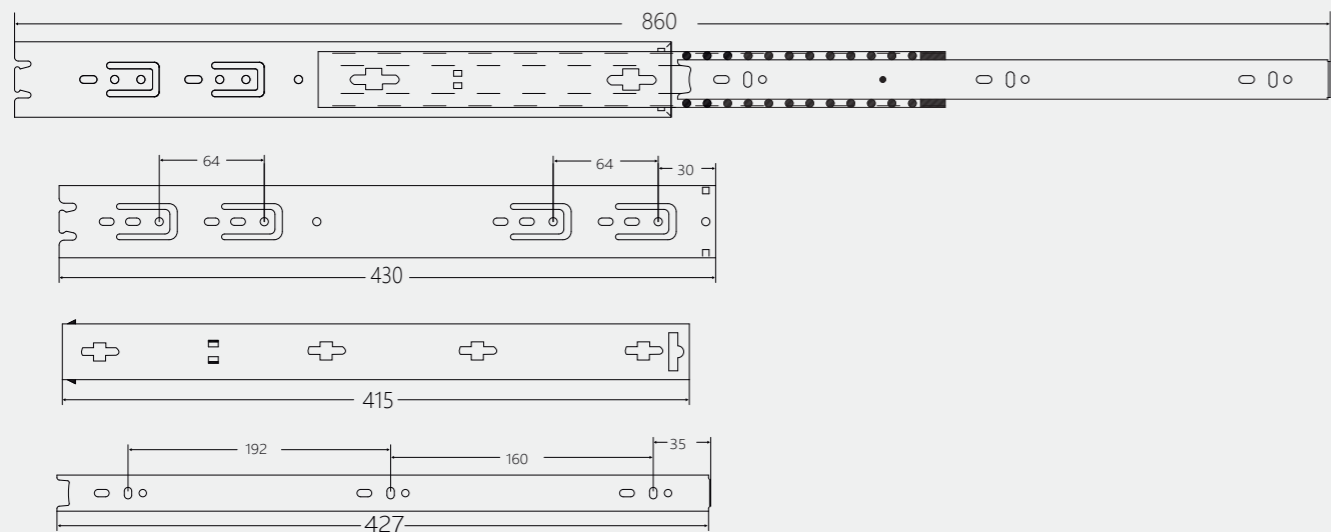


12.5mm

①	②	③
0.6	0.6	0.6

DS-3061	0.6*0.6*0.6mm	12.5mm	0.6	0.6	0.6
---------	---------------	--------	-----	-----	-----

Hole Version



SINGLE EXTENSION BALL BEARING SLIDE

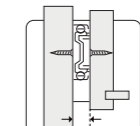
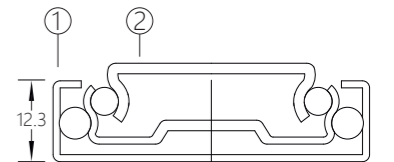
DS-2791



Width: 27mm
 Length: 250-600mm
 Loading capacity: 20kg/450mm(18")
 Material: Cold-rolled steel
 Finishing: Zinc/Black
 Packing: 50Pairs/carton



20kg

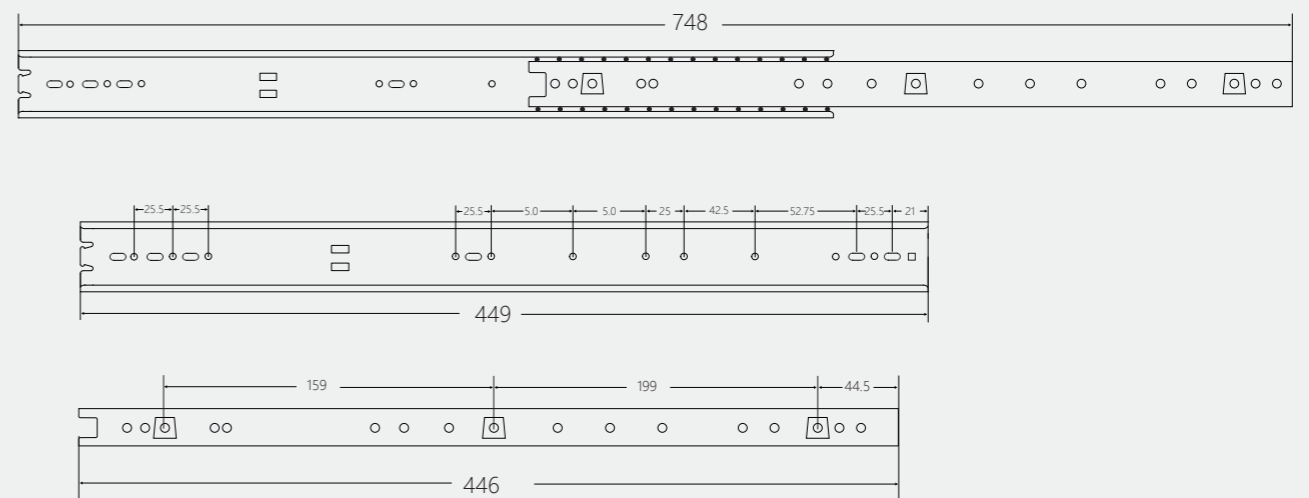


12.5mm

①	②
0.9-1.0	0.9-1.0

DS-2791	0.9*0.9mm	DS-2701	1.0*1.0mm
---------	-----------	---------	-----------

Hole Version

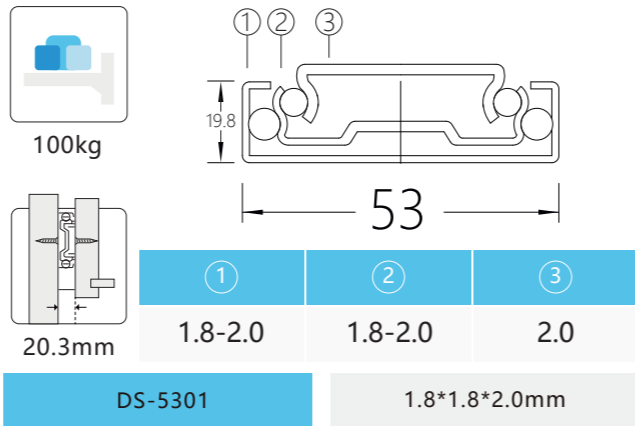


HEAVY DUTY SLIDE

DS-5302



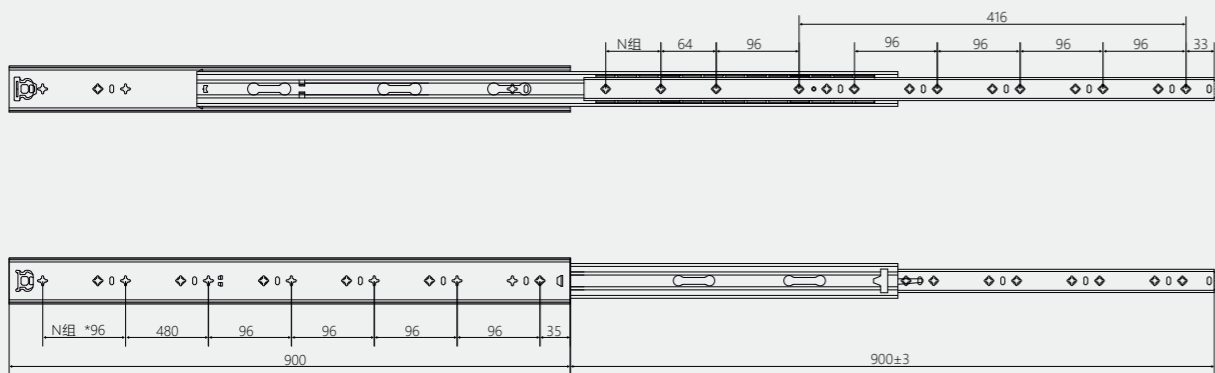
Width:	53mm
Length:	250-1500mm
Loading capacity:	100kg/450mm(18")
Material:	cold-rolled steel
Finishing:	Zinc
Packing:	5Pairs/carton



DS-5302	2.0*2.0*2.0mm
---------	---------------

DS-5301	1.8*1.8*2.0mm
---------	---------------

Hole Version

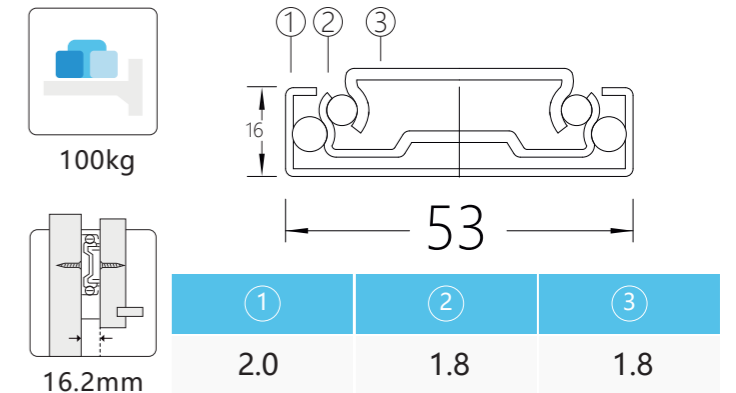


HEAVY DUTY SLIDE

DS-5303



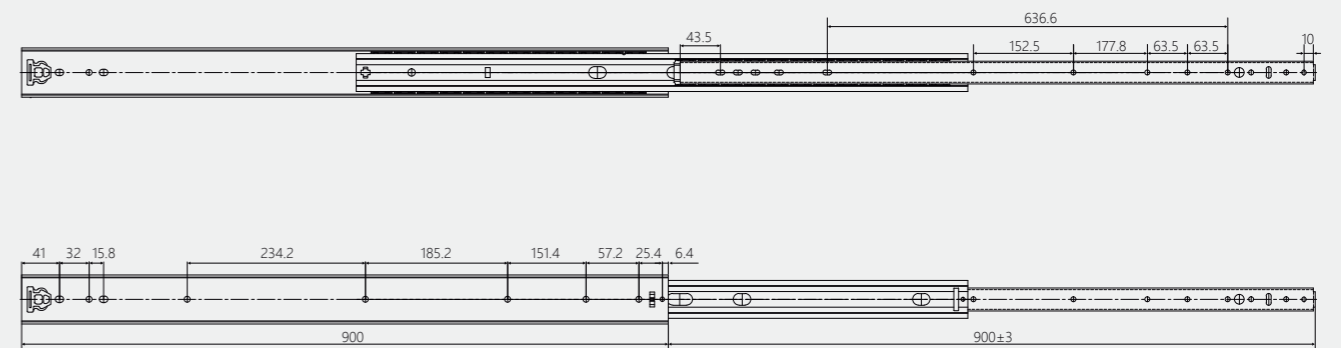
Width:	53mm
Length:	250-1500mm
Loading capacity:	100kg/450mm(18")
Material:	cold-rolled steel
Finishing:	Zinc
Packing:	5Pairs/carton



DS-5303	2.0*1.8*1.8mm
---------	---------------

DS-5303	2.0*1.8*1.8mm
---------	---------------

Hole Version



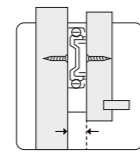
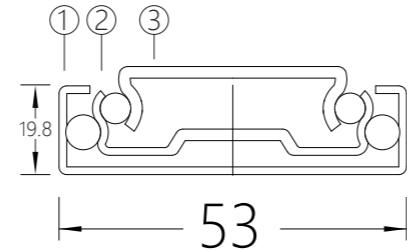
DS-5304



Width: 53mm
 Length: 250-1500mm
 Loading capacity: 100kg/450mm(18")
 Material: cold-rolled steel
 Finishing: Zinc
 Packing: 5Pairs/carton



100kg

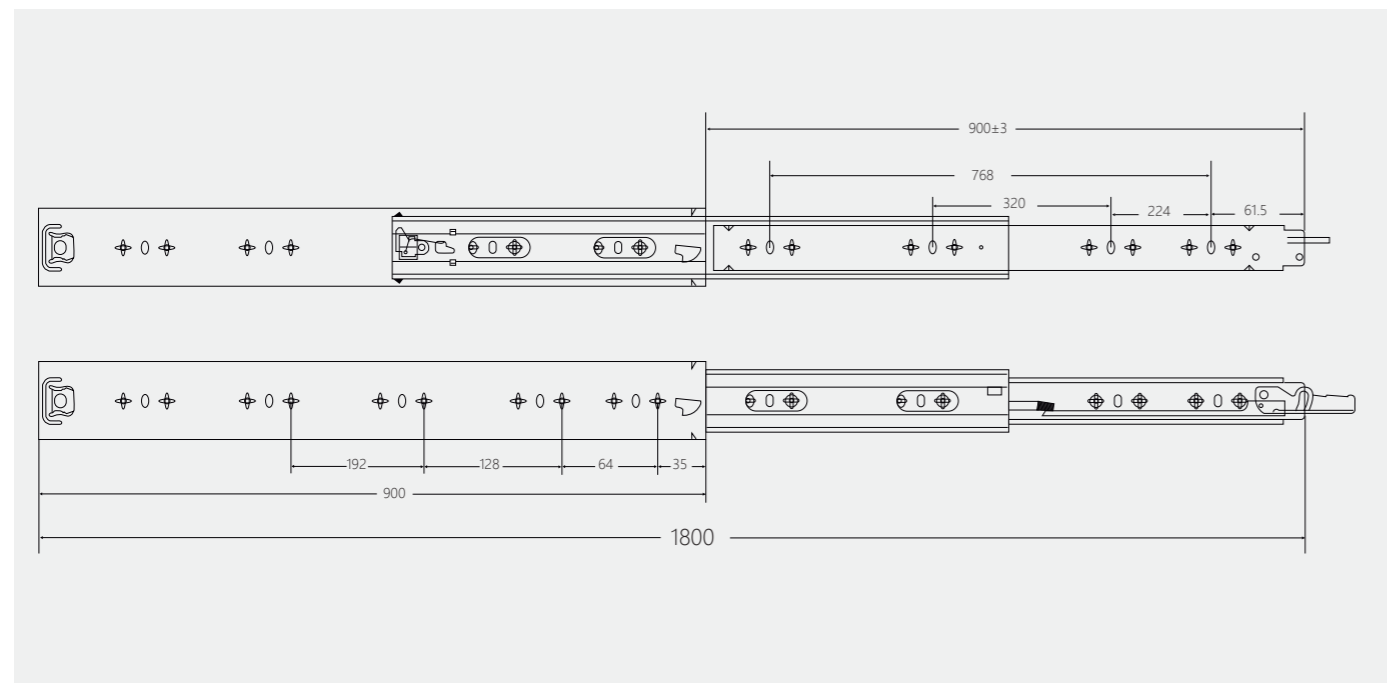


20.3mm

①	②	③
1.8-2.0	1.8-2.0	2.0

DS-5304	2.0*2.0*2.0mm
---------	---------------

Hole Version



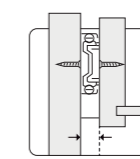
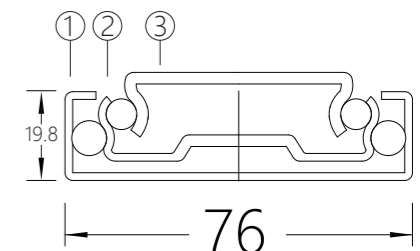
DS-7602



Width: 76mm
 Length: 250-1800mm
 Loading capacity: 220kg/450mm(18")
 Material: cold-rolled steel
 Finishing: Zinc
 Packing: 4Pairs/carton



220kg

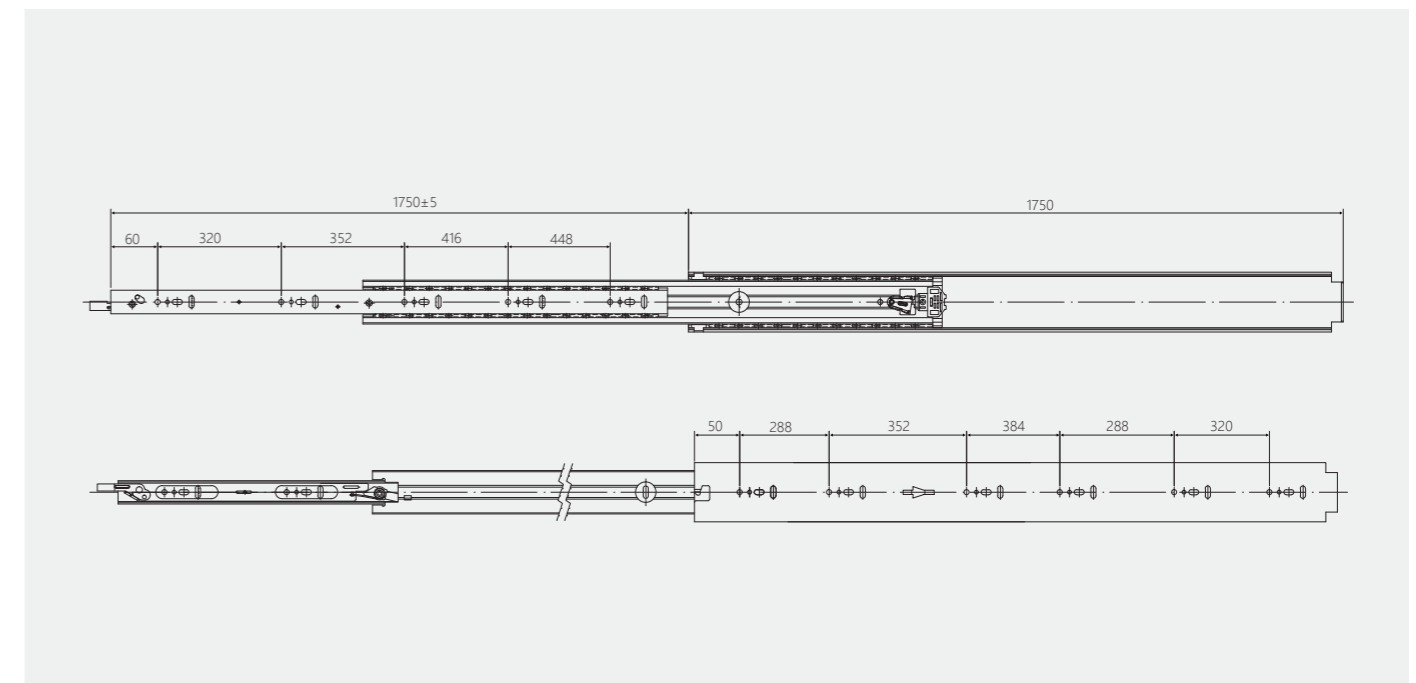


20.3mm

①	②	③
2.5	2.2	2.5

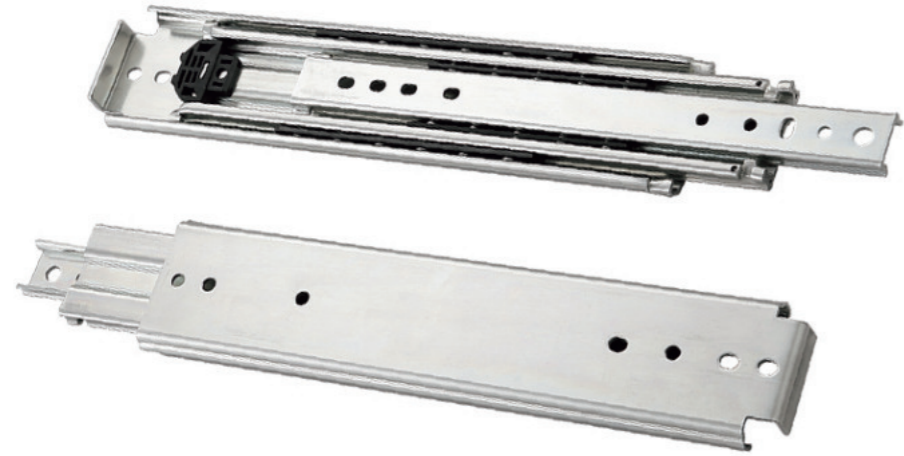
DS-7602	2.5*2.2*2.5mm
---------	---------------

Hole Version



HEAVY DUTY SLIDE

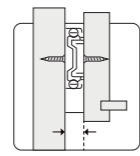
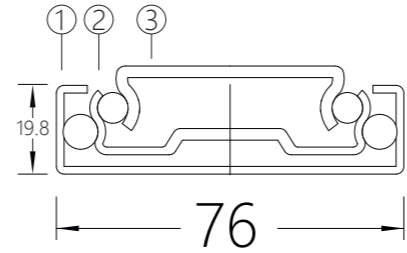
DS-7601



Width:	76mm
Length:	250-1800mm
Loading capacity:	220kg/450mm(18")
Material:	cold-rolled steel
Finishing:	Zinc
Packing:	4Pairs/carton



220kg

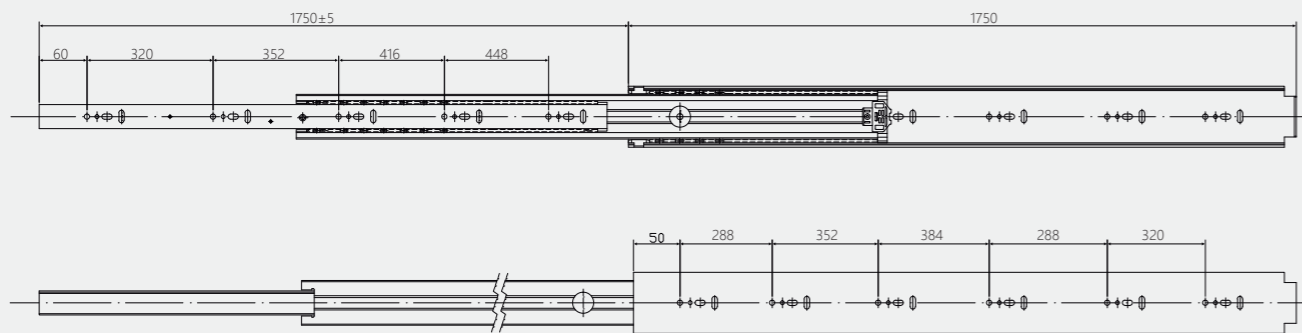


20.3mm

①	②	③
2.5	2.2	2.5

DS-7601	2.5*2.2*2.5mm
---------	---------------

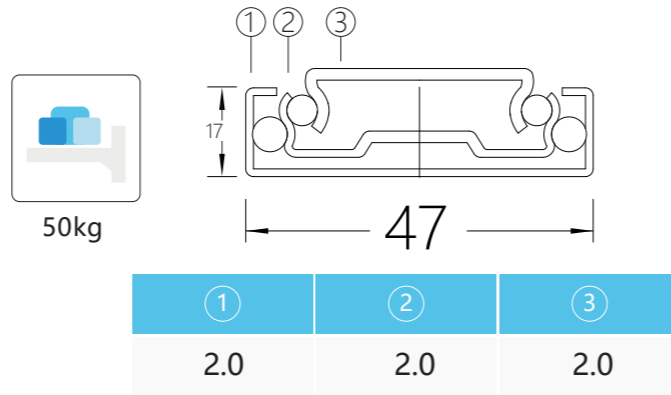
Hole Version



DS-D471

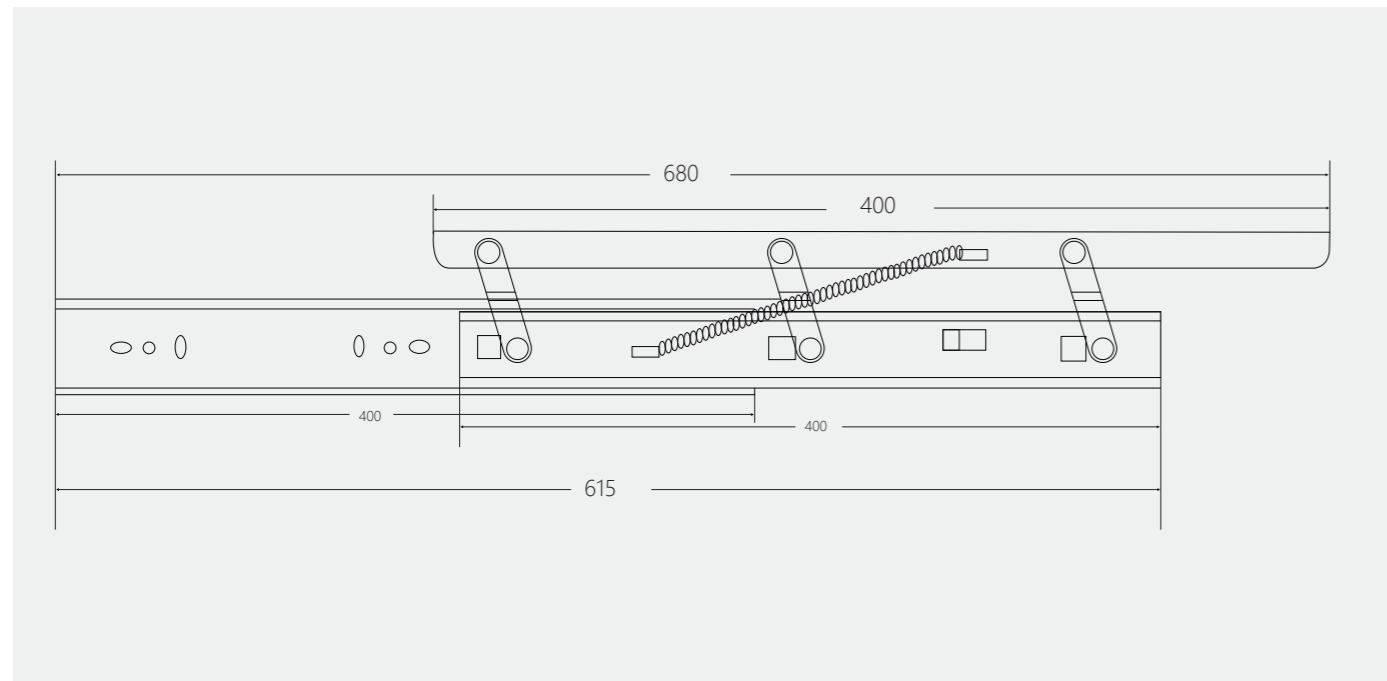


Width: 47mm
 Length: 350/400/420mm
 Loading capacity: 50kg/400mm(16")
 Material: cold-rolled steel/Galvanized sheet
 Finishing: Zinc / Black
 Packing: 15Pairs/carton



DS-D471 2.0*2.0*2.0mm

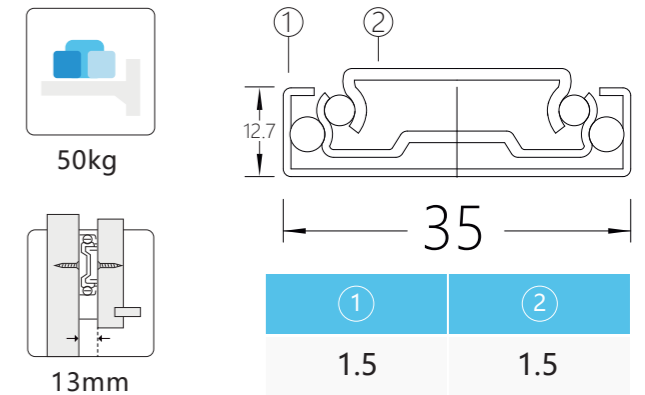
Installation Dimensions



DS-D352

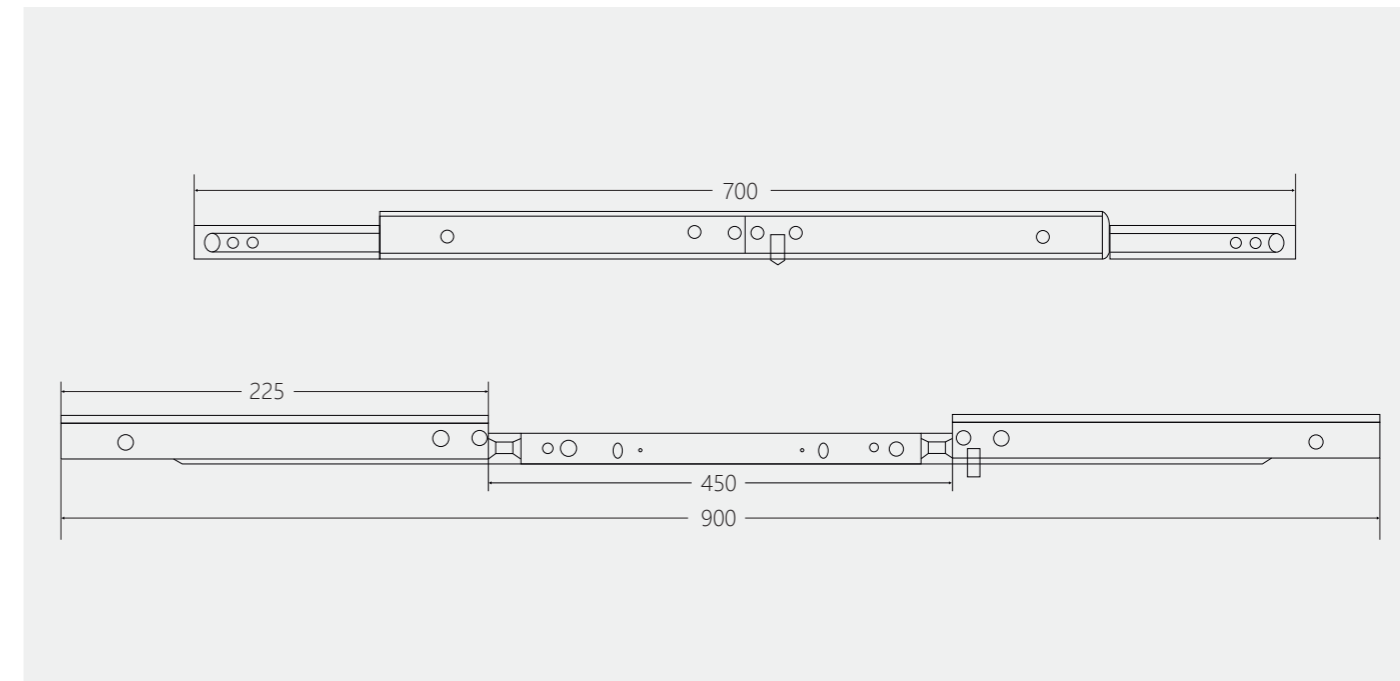


Width: 35mm
 Length: 600-1500mm
 Loading capacity: 50kg/700mm(28")
 Material: cold-rolled steel/Galvanized sheet
 Finishing: Zinc / Black
 Packing: 10Pairs/carton



DS-D352 1.5*1.5mm

Hole Version



DINNING TABLE SLIDE

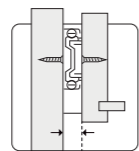
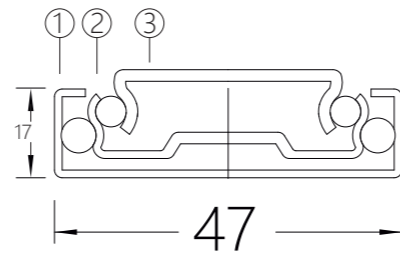
DS-D353



Width: 47mm
 Length: 800-1500mm
 Loading capacity: 120kg/900mm(36")
 Material: cold-rolled steel/Galvanized sheet
 Finishing: Zinc / Black
 Packing: 4Pairs/carton



120kg



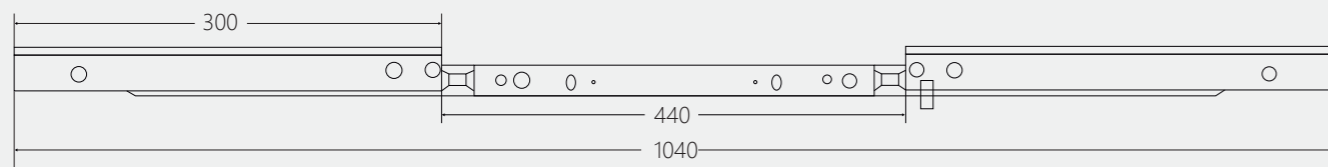
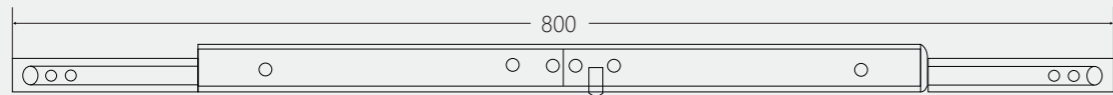
17.3mm

①	②	③
2.0	2.0	2.0

DS-D353

2.0*2.0*2.0mm

Hole Version



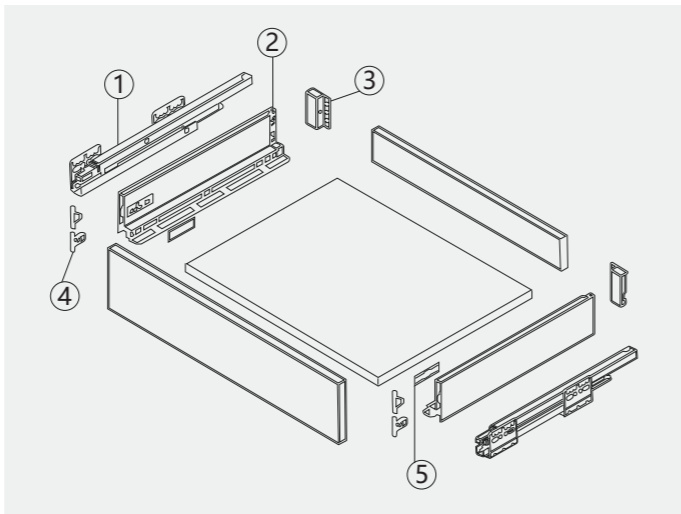


TB-0683

Material:	Galvanized Steel
Finish:	Painting
Thickness:	1.5*2.0*1.5mm
Wood Board Thickness:	16mm
Color:	White/Grey/Dark Grey
Length:	270mm-550mm
Height:	68/151/183mm
Loading capacity:	35KG

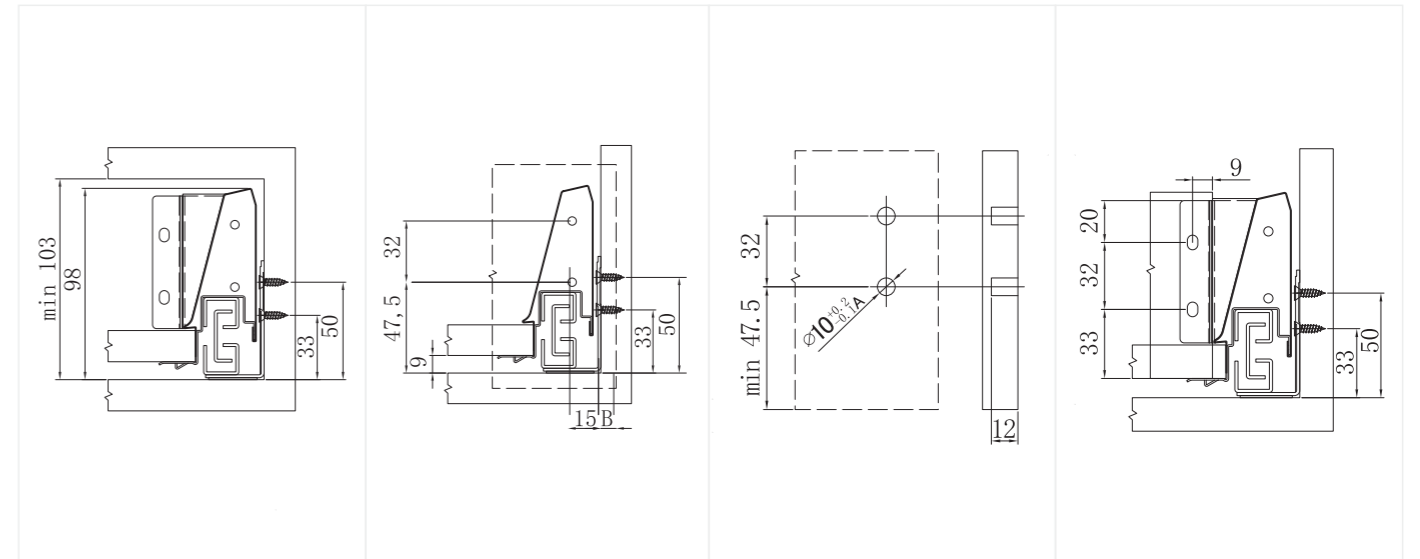


product description

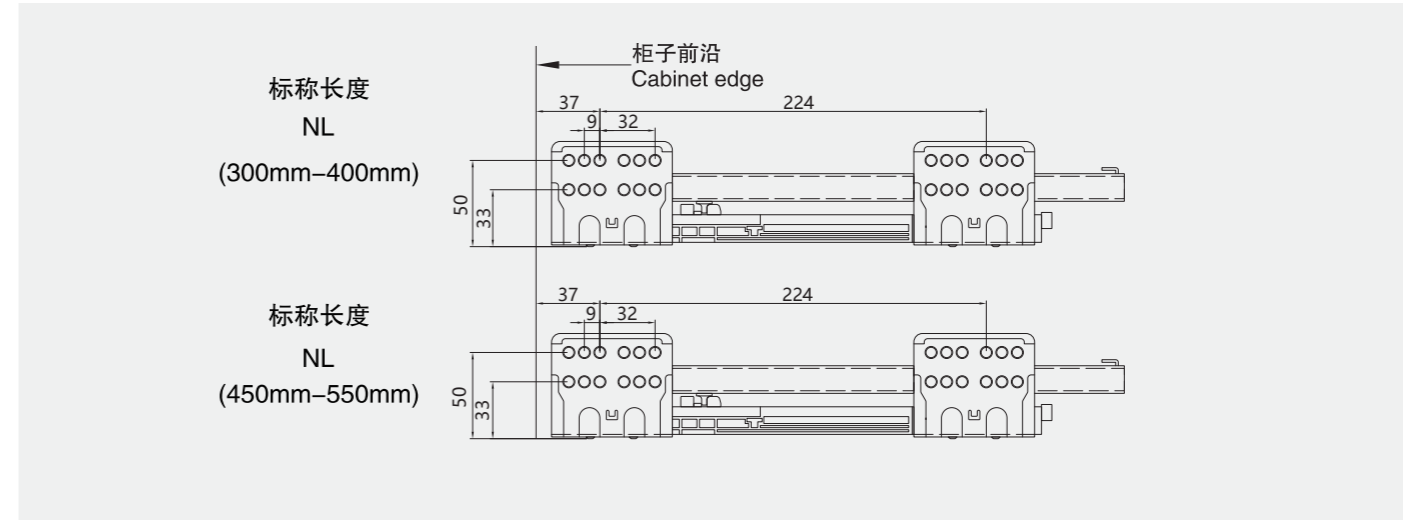


①	②	③	④	⑤
Slide (Left/Right)	Drawer sides (Left/Right)	Back Fixing-brackets (Left/Right)	Front Fixing-brackets	Cover caps
-Galvanized steel plate -load capacity:30kg	-Steel -White/Grey	-Steel -White/Grey	-Steel, Plastic -Plastic button(optional)	-Plastic -White/Grey

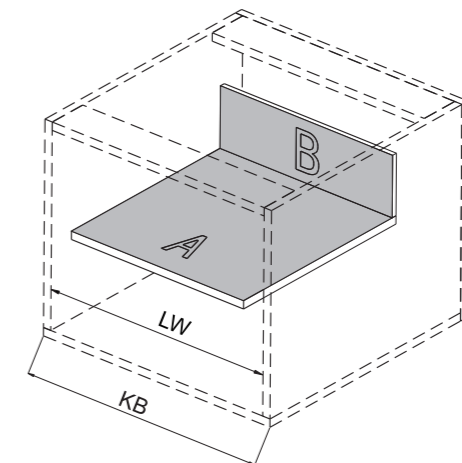
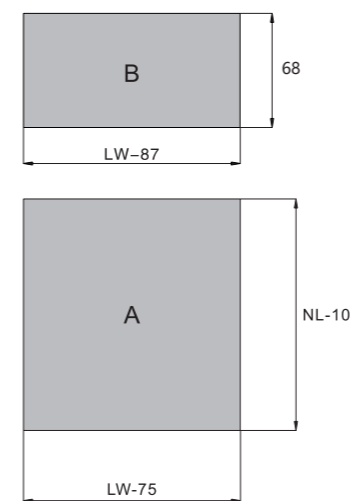
Installation Dimensions



Installation Dimensions



16mm density board cutting size



LW: Cabinet Width
NL: Nominal Length
A: Bottom
B: Back



TB-0681

Material:	Galvanized Steel
Finish:	Painting
Thickness:	1.5*2.0*1.5mm
Wood Board Thickness:	16mm
Color:	White/Grey/Dark Grey
Length:	270mm-550mm
Height:	68/119/151/183mm
Loading capacity:	35KG

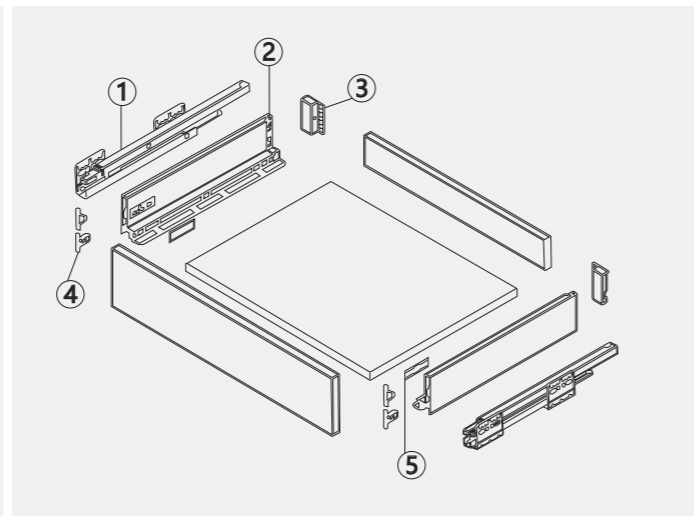
TB-1191



TB-1831

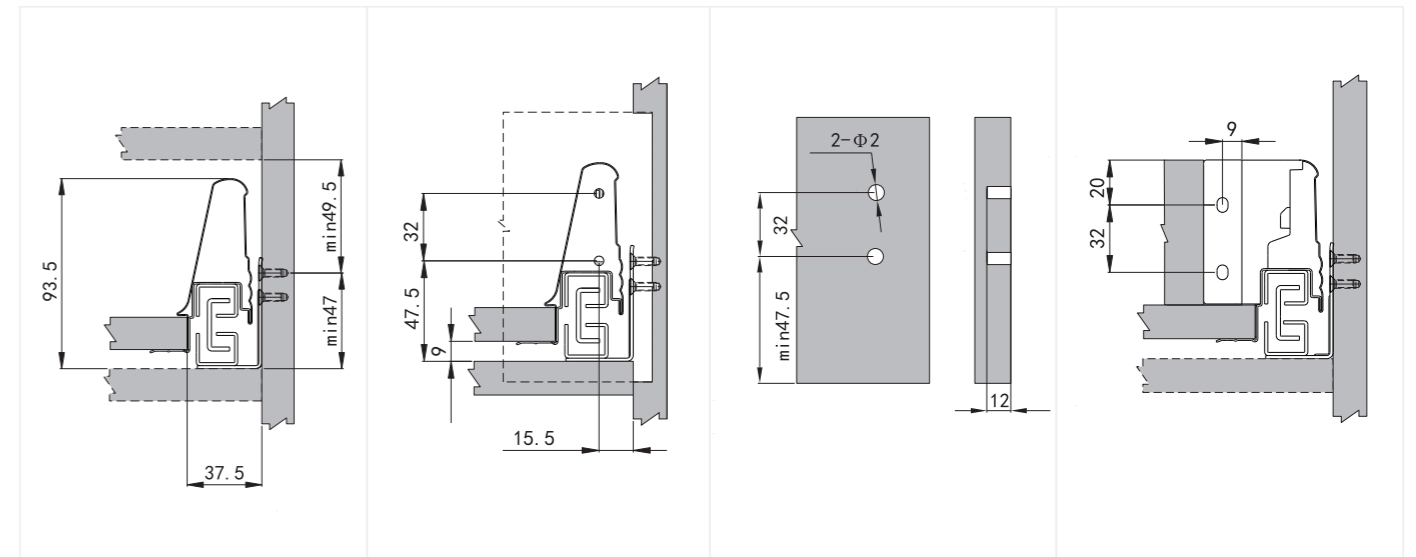


product description

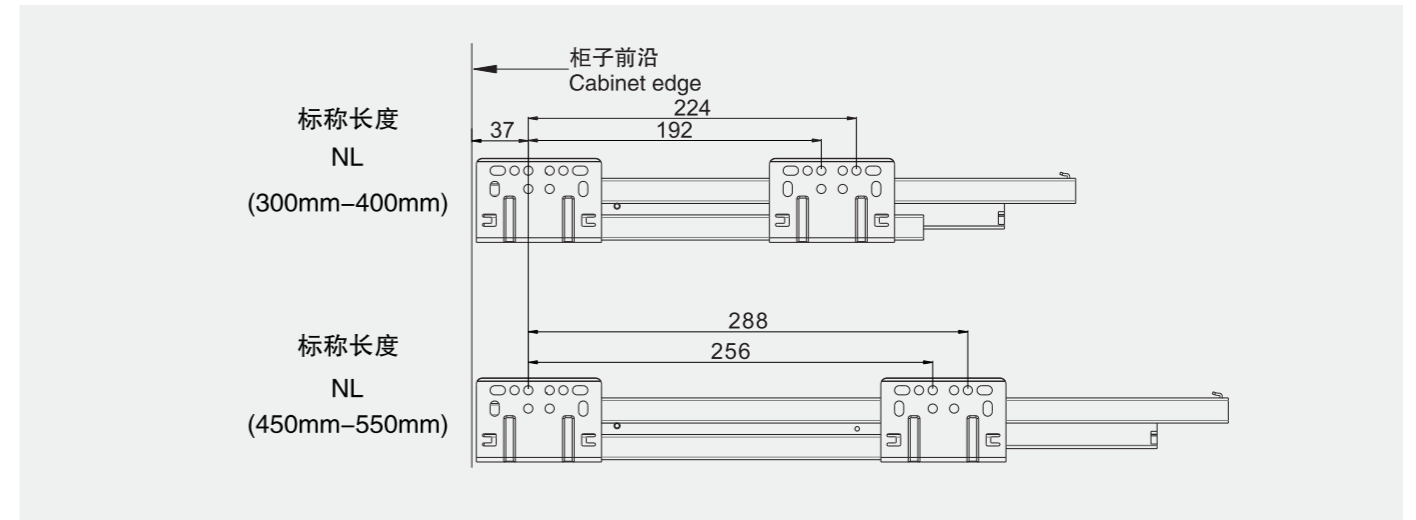


①	②	③	④	⑤
Slide (Left/Right)	Drawer sides (Left/Right)	Back Fixing-brackets (Left/Right)	Front Fixing-brackets	Cover caps
-Galvanized steel plate -load capacity:30kg	-Steel -White/Grey	-Steel -White/Grey	-Steel, Plastic -Plastic button(optional)	-Plastic -White/Grey

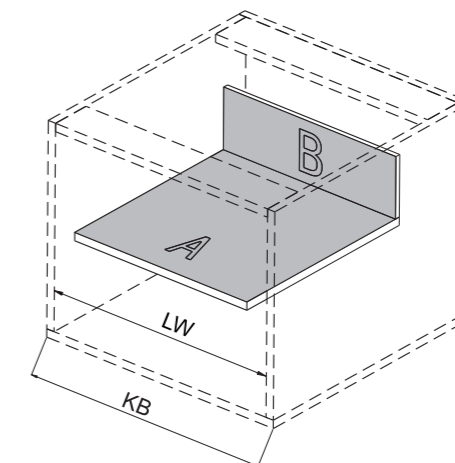
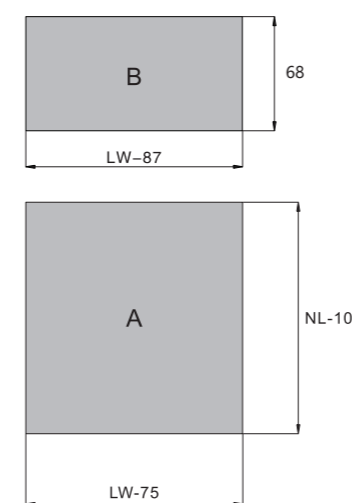
Installation Dimensions



Installation Dimensions



16mm density board cutting size



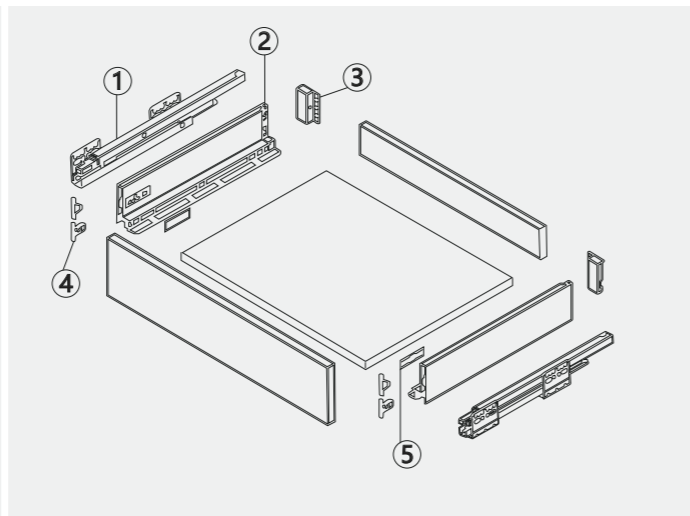
- LW: Cabinet Width
- NL: Nominal Length
- A: Bottom
- B: Back

TB-0684

Material:	Galvanized Steel
Finsh:	Painting
Thickness:	1.5*2.0*1.5mm
Wood Board Thickness:	16mm
Color:	White/Dark Grey
Length:	270mm-550mm
Height:	68/100/148mm
Loading capacity:	35KG

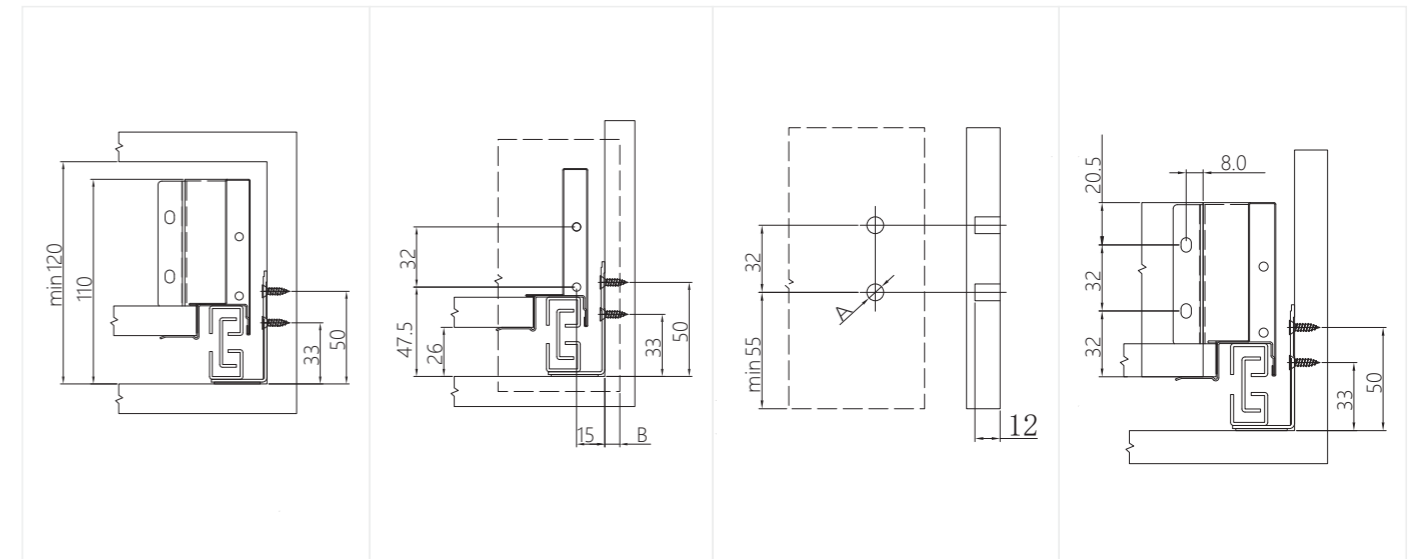


product description

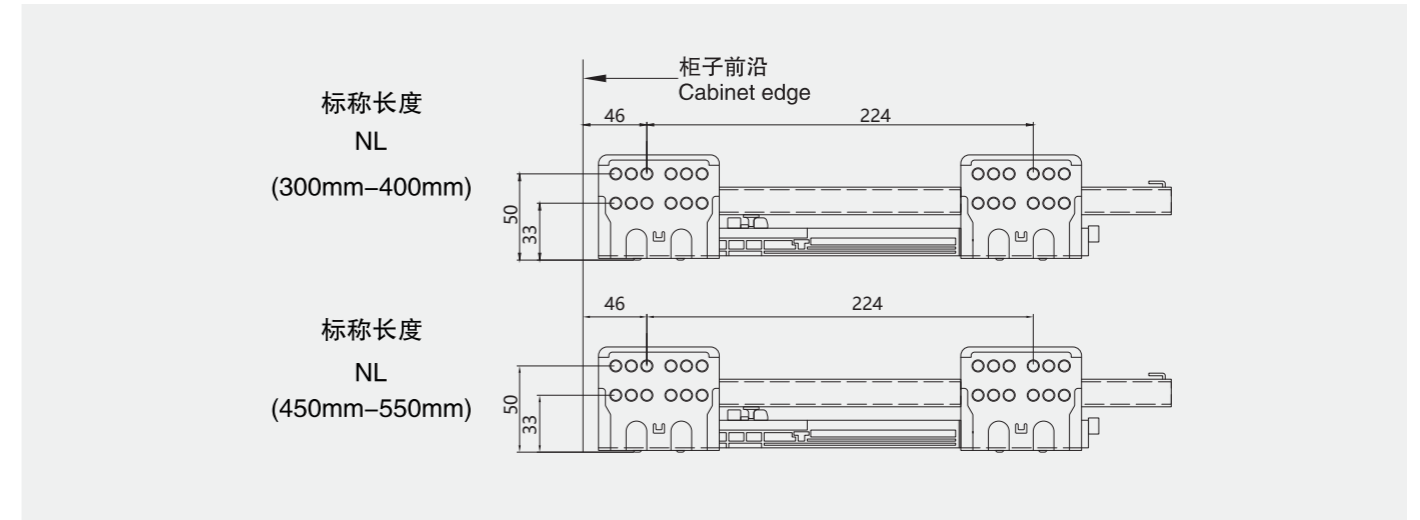


①	②	③	④	⑤
Slide (Left/Right)	Drawer sides (Left/Right)	Back Fixing-brackets (Left/Right)	Front Fixing-brackets	Cover caps
-Galvanized steel plate -load capacity:30kg	-Steel -White/Grey	-Steel -White/Grey	-Steel, Plastic -Plastic button(optional)	-Plastic -White/Grey

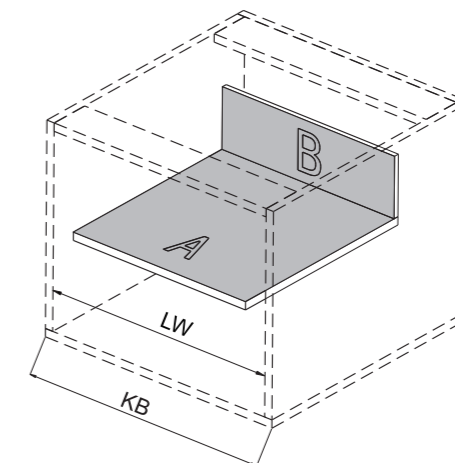
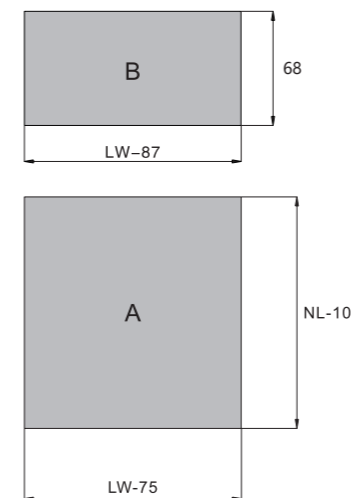
Installation Dimensions



Installation Dimensions



16mm density board cutting size



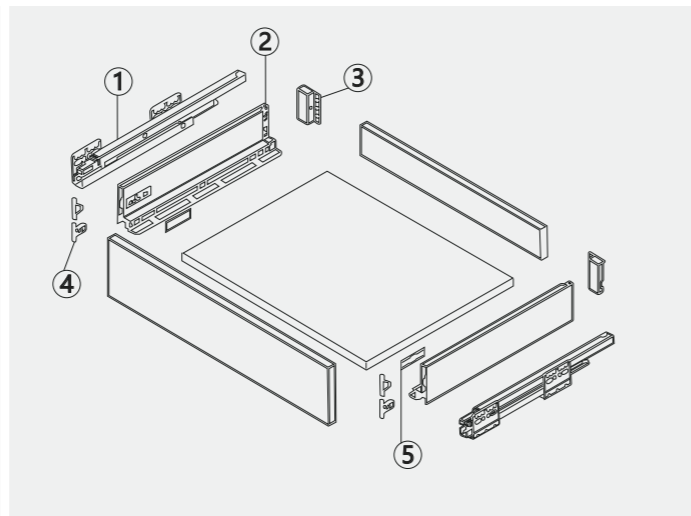
- LW: Cabinet Width
- NL: Nominal Length
- A: Bottom
- B: Back

TB-0682

Material:	Galvanized Steel
Finsh:	Painting
Thickness:	1.5*2.0*1.5mm
Wood Board Thickness:	16mm
Color:	White/Dark Grey
Length:	300mm-550mm
Height:	68/101/148mm
Loading capacity:	35KG

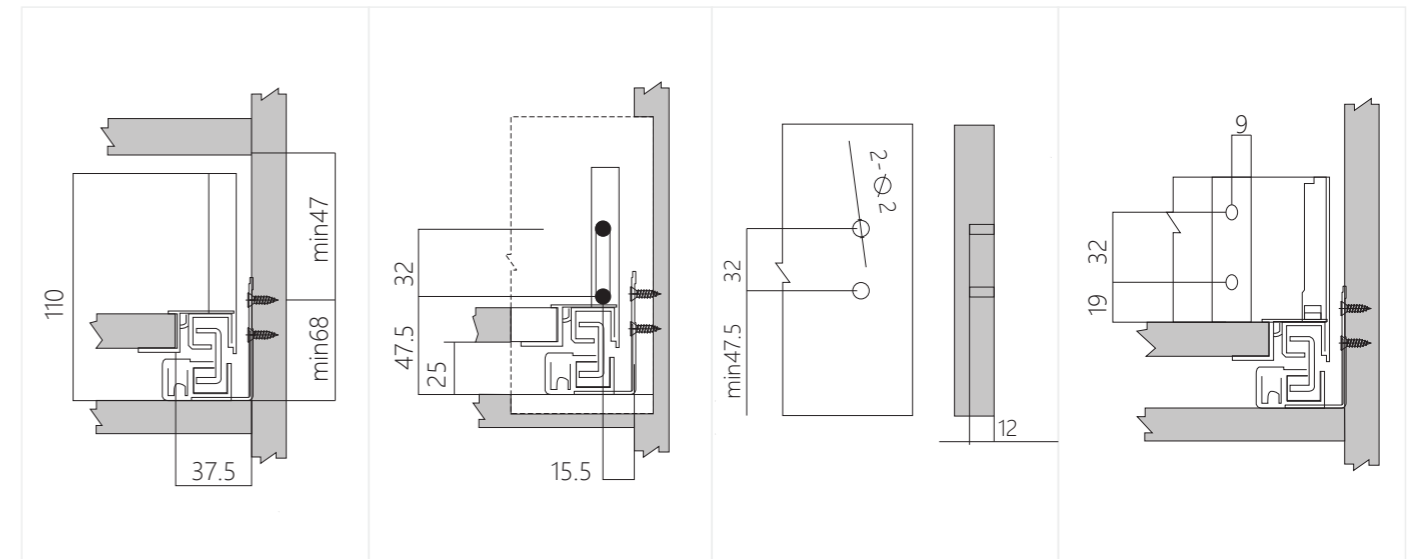


product description

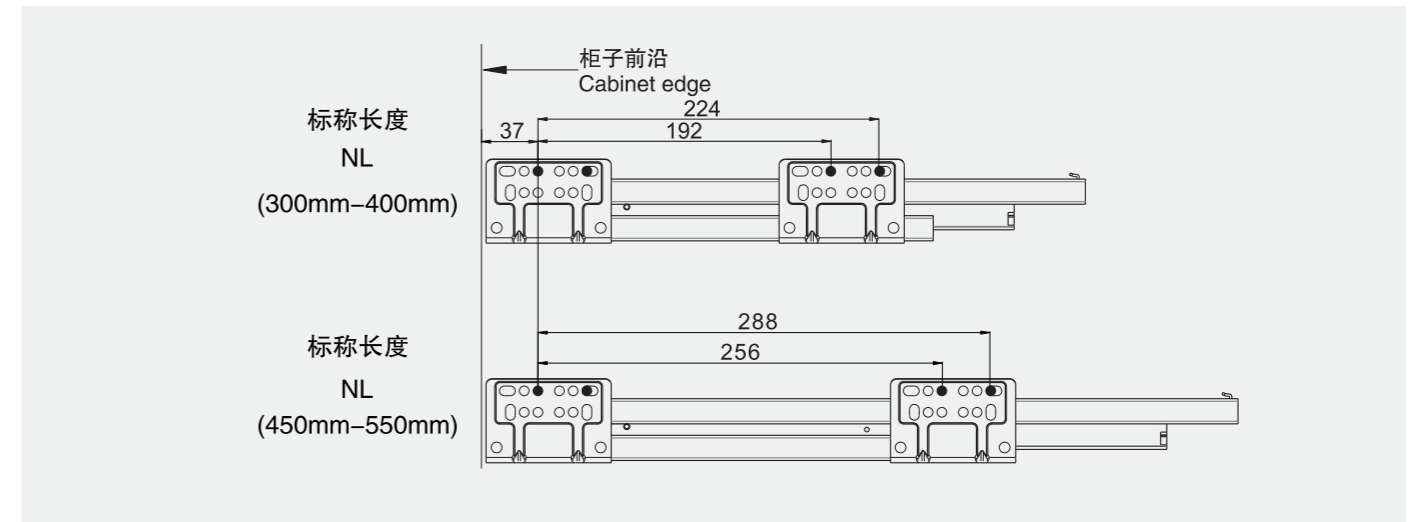


①	②	③	④	⑤
Slide (Left/Right)	Drawer sides (Left/Right)	Back Fixing-brackets (Left/Right)	Front Fixing-brackets	Cover caps
-Galvanized steel plate -load capacity:30kg	-Steel -White/Grey	-Steel -White/Grey	-Steel, Plastic -Plastic button(optional)	-Plastic -White/Grey

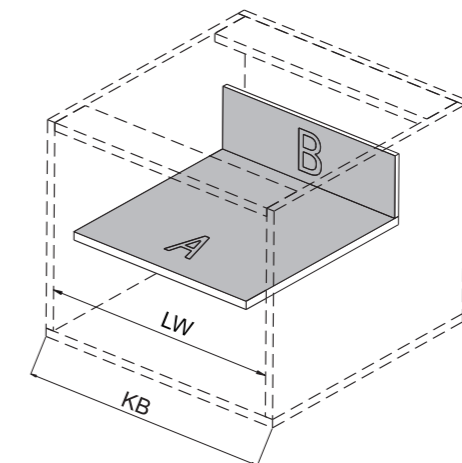
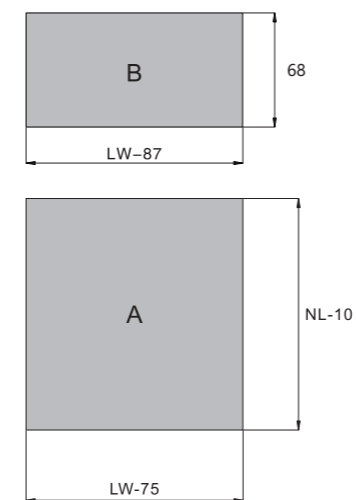
Installation Dimensions



Installation Dimensions



16mm density board cutting size



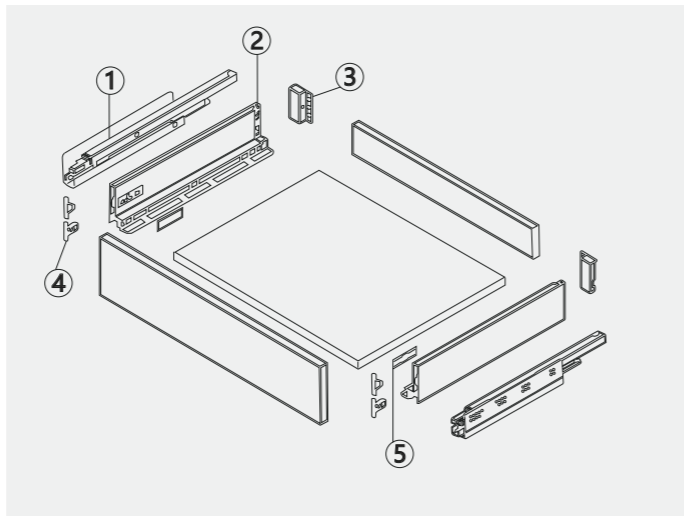
LW: Cabinet Width
NL: Nominal Length
A: Bottom
B: Back

UM-3C03

Material:	Galvanized Steel
Finish:	Painting
Thickness:	1.2*1.5*1.8mm
Wood Board Thickness:	16mm
Color:	White/Dark Grey
Length:	300mm-550mm
Height:	63/101/148mm
Loading capacity:	35KG

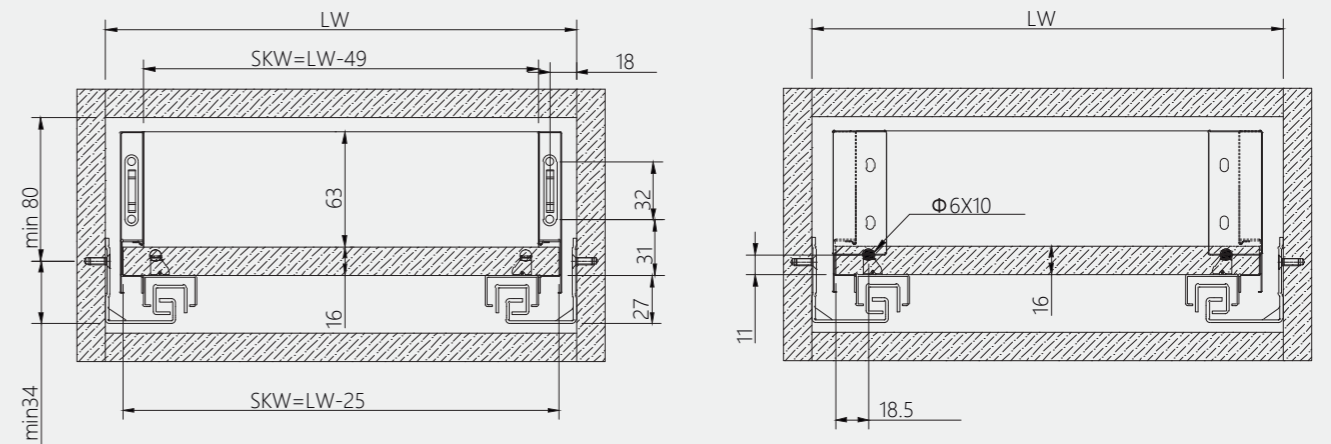


product description

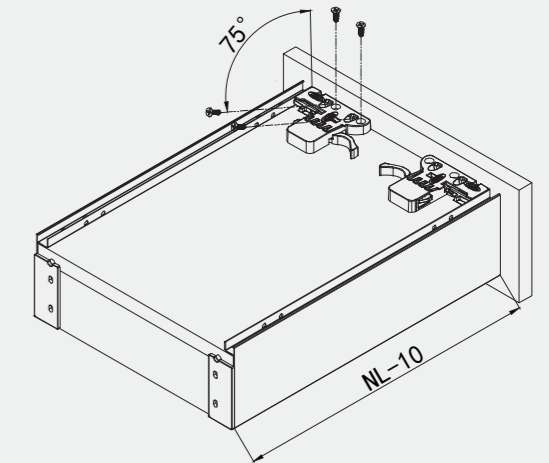
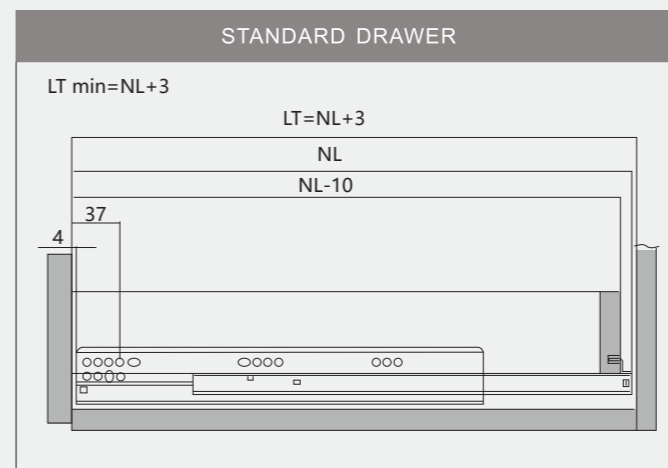


①	②	③	④	⑤
Slide (Left/Right)	Drawer sides (Left/Right)	Back Fixing-brackets (Left/Right)	Front Fixing-brackets	Cover caps
-Galvanized steel plate -load capacity:30kg	-Steel -White/Grey	-Steel -White/Grey	-Steel, Plastic -Plastic button(optional)	-Plastic -White/Grey

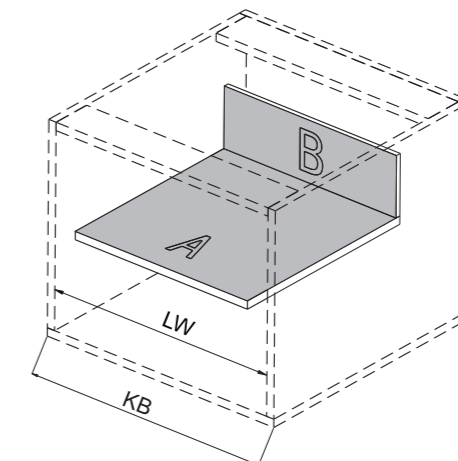
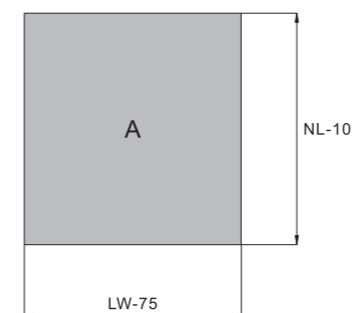
product description



Installation Dimensions



16mm density board cutting size



LW: Cabinet Width
 NL: Nominal Length
 A: Bottom
 B: Back



UM-3C01

3 Folds 3D Adjustment

Material:	Galvanized Steel
Thickness:	1.2*1.5*1.8mm
Length:	250-550mm
Loading capacity:	35KG
Wood Board Thickness:	16/18mm



UM-3C07

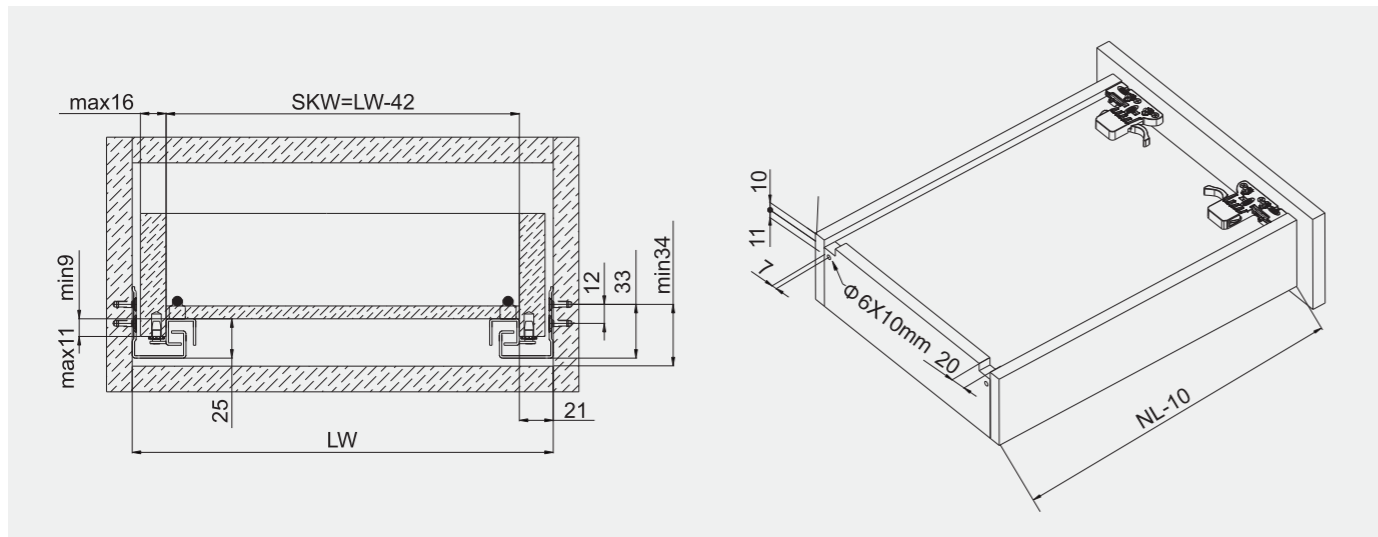
3 Folds 2D Adjustment

Material:	Galvanized Steel
Thickness:	1.0*1.5*1.8mm
Length:	250-550mm
Loading capacity:	35KG
Wood Board Thickness:	16/18mm

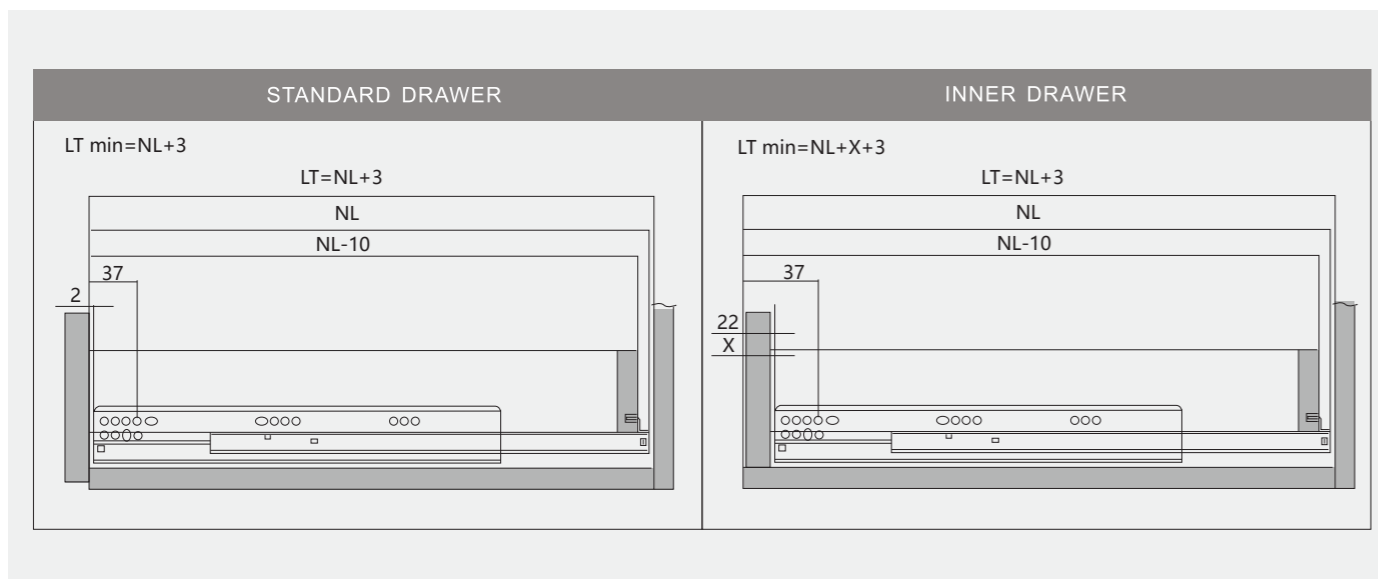
Installation Dimensions

SKW= Internal Drawer Width

LW= Internal Cabinet Width



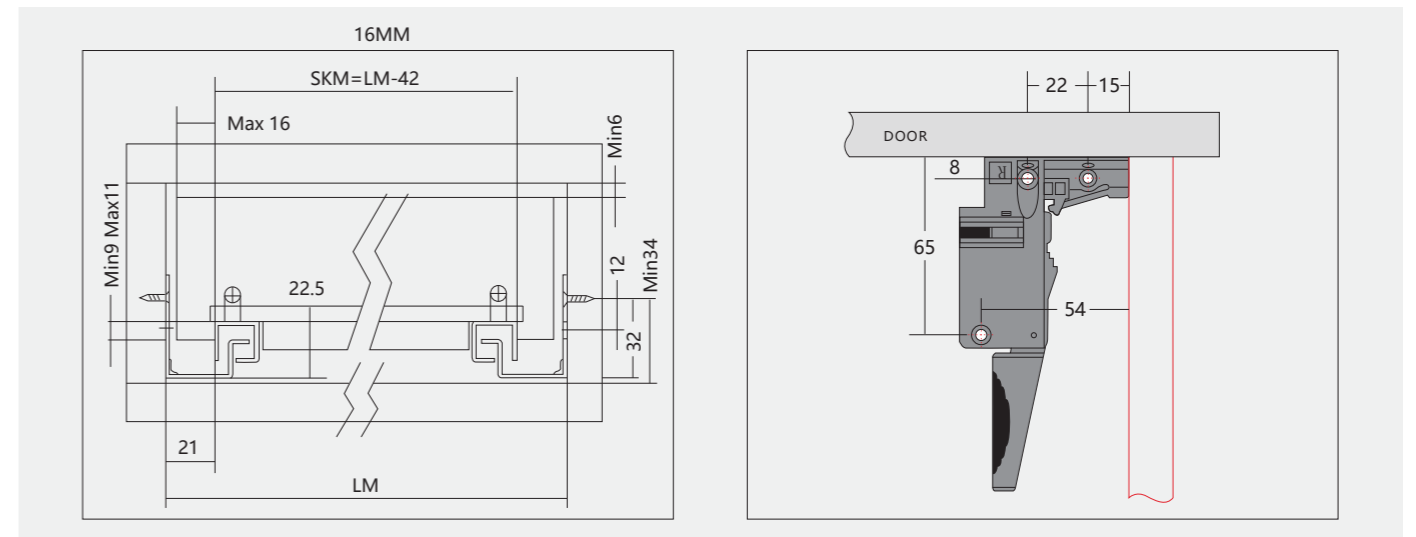
Installation Dimensions



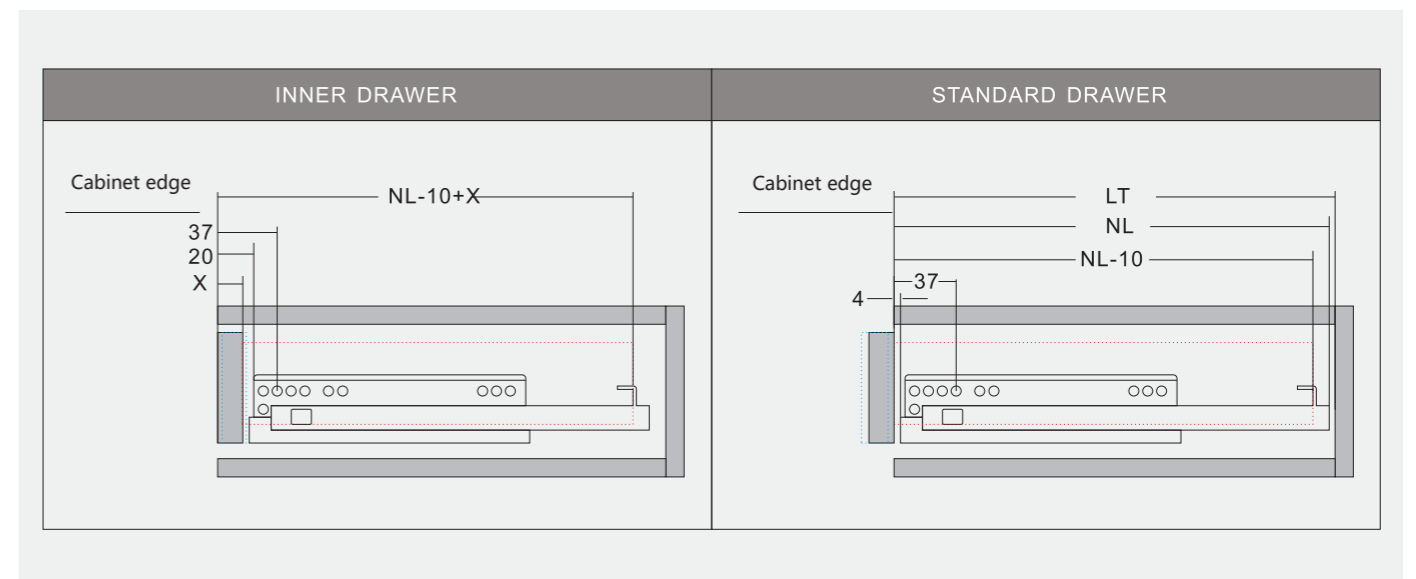
Installation Dimensions

SKW= Internal Drawer Width

LW= Internal Cabinet Width



Installation Dimensions



UNDERMOUNT SLIDE



UM-2C01

2 Folds 3D Adjustment

Material:	Galvanized Steel
Thickness:	1.5*1.5*mm
Length:	250-550mm
Loading capacity:	25KG
Wood Board Thickness:	16/18mm

UNDERMOUNT SLIDE

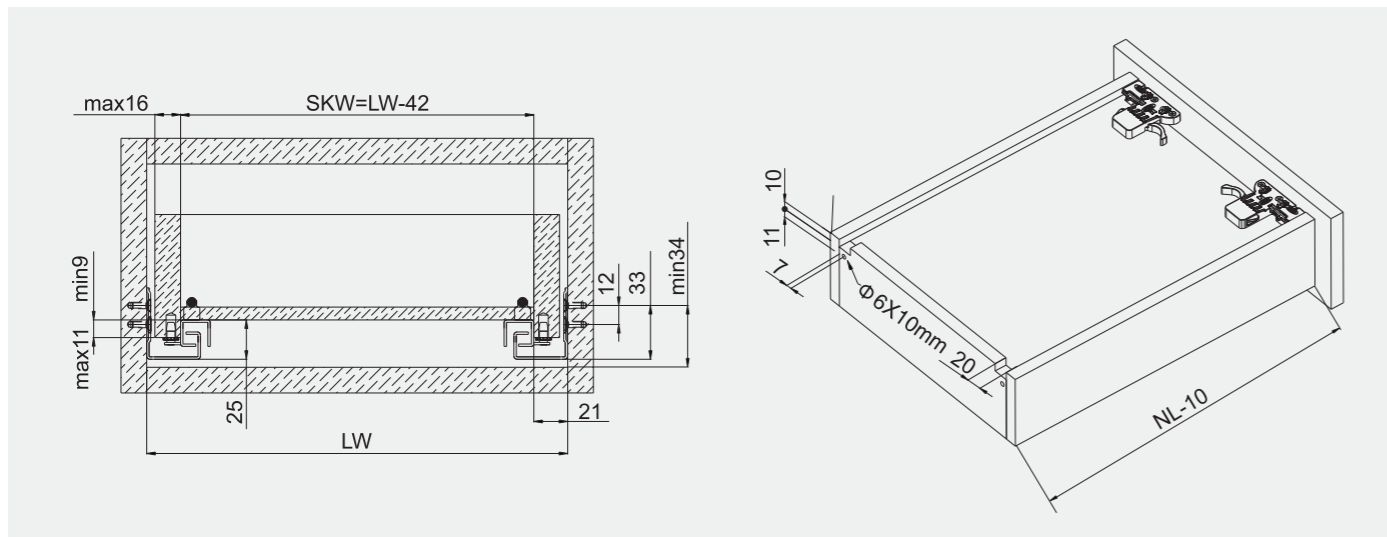


UM-2C05

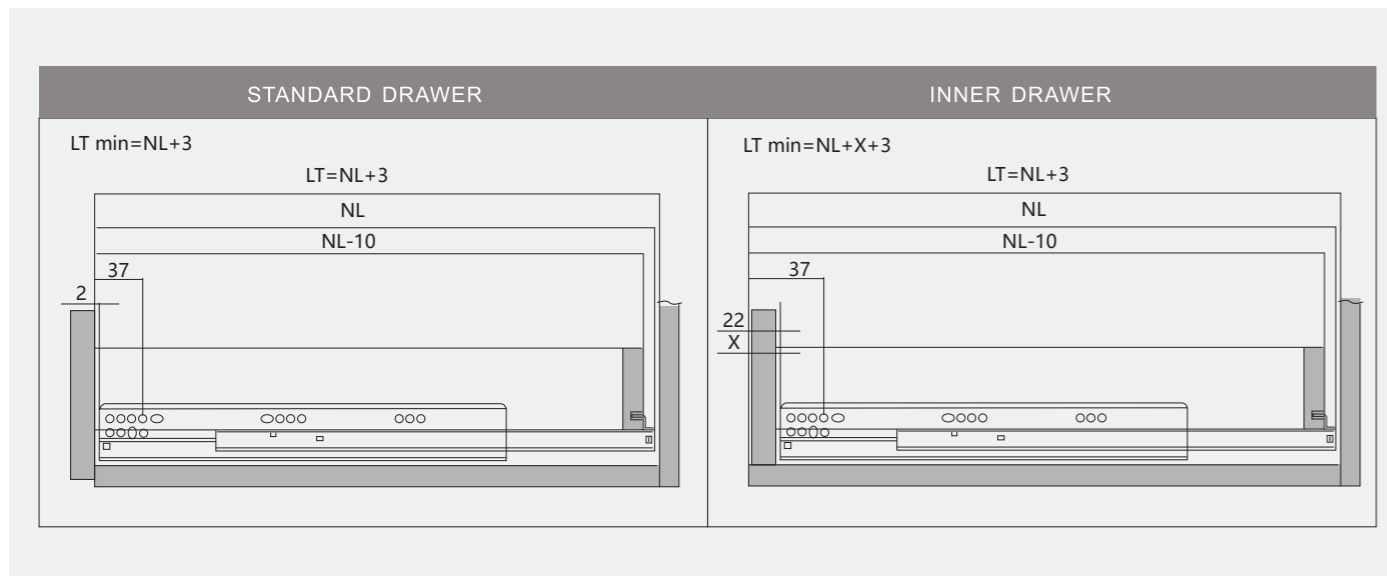
2 Folds 2D Adjustment

Material:	Galvanized Steel
Thickness:	1.5*1.5mm
Length:	250-500mm
Loading capacity:	25KG
Wood Board Thickness:	16/18mm

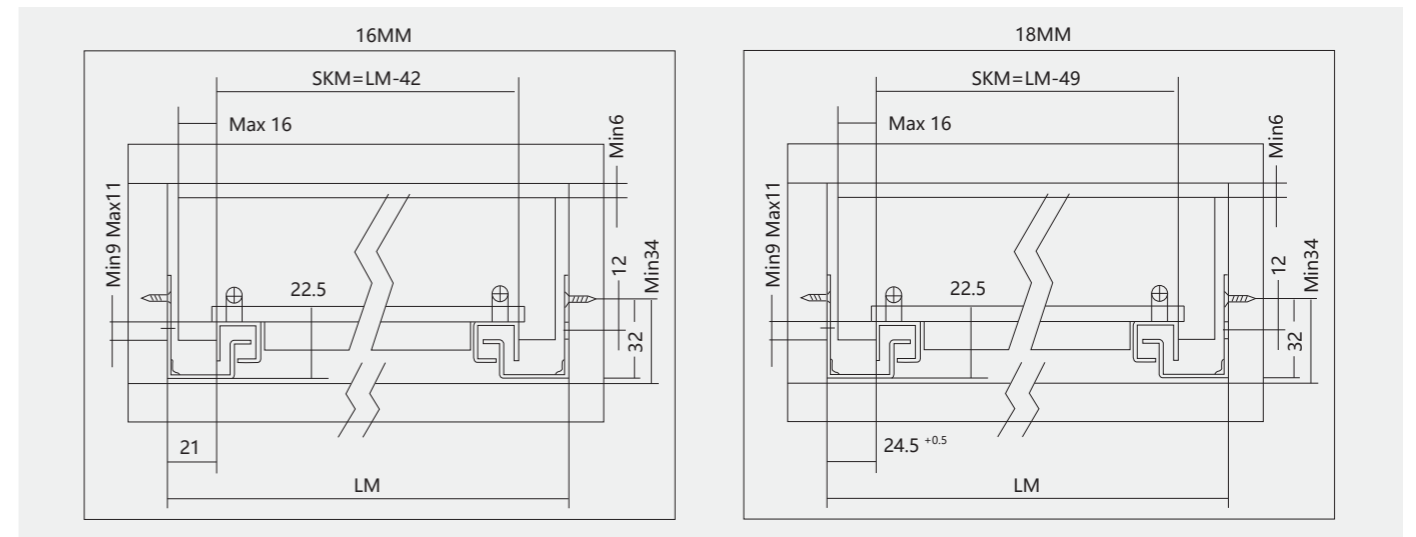
Installation Dimensions SKW= Internal Drawer Width LW= Internal Cabinet Width



Installation Dimensions



Installation Dimensions SKW= Internal Drawer Width LW= Internal Cabinet Width



Installation Dimensions

